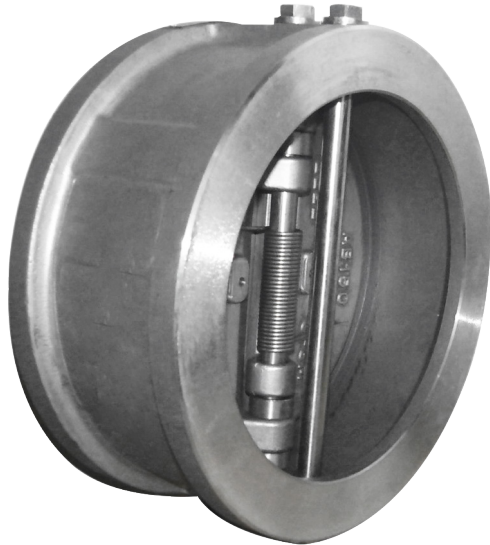




Double Disk Check Stainless Steel CF8M 316 Class 150



MATERIALS

	PART NAME	MATERIAL
1	BODY	CF8M (316)
2	PLATE	SS CF8M(316) / CF3M(316L)
3	SEAT	SS CF8M(316) / CF3M(316L)
4	STOP PIN	SS CF8M(316)
5	HINGE PIN	SS CF8M(316)
6	SPRING	SS CF8M(316)
7	PIN INSERT	SS CF8M(316)
8	SNAP RING	SS CF8M(316)
9	BODY BEARING	SS CF8M(316)
10	PLATE BEARING	SS CF8M(316)
11	SPRING BEARING	SS CF8M(316)

Body Stainless Steel 316

Design specs according to: API 594
 Flange Connection: ANSI Class 150
 Type H
 Disk and shaft stainless steel 316

Hidrostatic Test API 598

Diameters: 4" to 12"

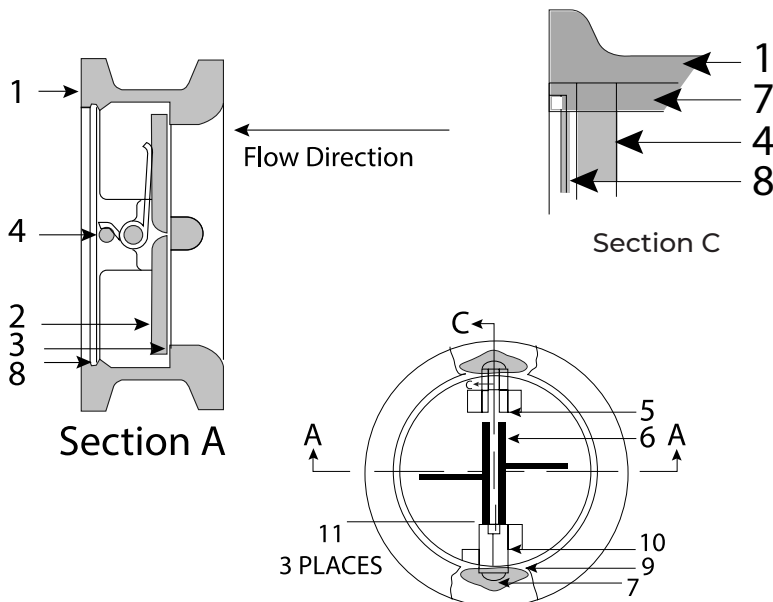
DIMENSIONS

SIZE	A	B	C	D	WEIGHT (KG)
3"	137	73	74	6	6
4"	173	73	97	16	6.3
6"	220	98	145	35	12.7
8"	277	126	194	54	23.2
10"	335	145	243	70	36.6
12"	400	180	289	83	62.5

* Dimensions in mm

PRESSURE TEMPERATURE

TEMPERATURE		PRESSURE
°F	°C	CLASS 150 (PSIG)
-20 to 100	-29 to 38	285
200	93	260
300	149	230
400	204	200
500	260	170
600	316	140
650	349	125
700	371	110
750	399	95
800	427	80
850	454	65



* Note : Dimensions, design and materials are subject to change without notice.