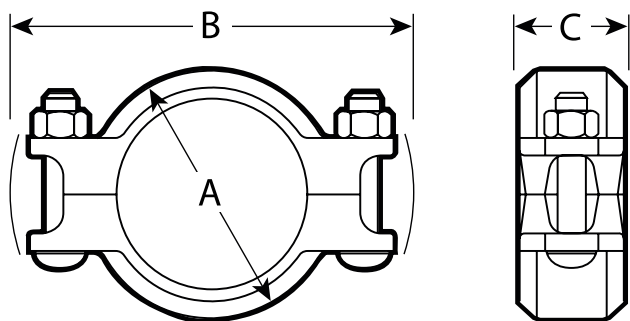


ACOPLE FLEXIBLE RANURADO



- ◆ Material: Fierro Dúctil A536
- ◆ Sistema tipo Victaulic
- ◆ Diseño de cierre angular para mayor rigidez
- ◆ Resisten a la flexión y la torsión
- ◆ Presión hasta 500 PSI



* Fotos y medidas referenciales.

Día. Nominal mm / in	Tubo O.D mm / in	Presión de Trabajo PSI / MPa	Dimensiones			Tamaño Perno
			A mm / in	B mm / in	C mm / in	Nº - Tamaño mm
25 1	33.7 1.327	500 3.45	55.5 2.19	94 3.70	42 1.65	2-3/8X55
32 1¼	42.4 1.669	500 3.45	65 2.56	104 4.09	45.5 1.79	2-3/8X55
40 1½	48.3 1.900	500 3.45	72 2.83	109 4.29	45.5 1.79	2-3/8X55
50 2	60.3 2.375	500 3.45	84 3.31	130 5.12	45.5 1.79	2-3/8X55
65 2½	73.0 2.875	500 3.45	98 3.86	143 5.63	45.5 1.79	2-3/8X55
65 2½	76.1 3.000	500 3.45	101.5 4.00	148 5.83	45.5 1.79	2-3/8X55
80 3	88.9 3.500	500 3.45	115.5 4.55	165 6.50	45.5 1.79	2-1/2X70
100 4	108.0 4.250	500 3.45	140 5.51	198.5 7.82	50.8 2.00	2-1/2X70
100 4	114.3 4.500	500 3.45	145.5 5.73	197 7.75	50.8 2.00	2-1/2X70
125 5	133 5.250	450 3.10	163 6.42	232 9.13	51.5 2.03	2-5/8X80
125 5	139.7 5.500	450 3.10	170 6.69	238.5 9.39	51.5 2.03	2-5/8X80
125 5	141.3 5.563	450 3.10	170 6.69	232 9.13	50.8 2.00	2-5/8X80
150 6	159.0 6.250	450 3.10	190 7.48	258 10.15	53.5 2.10	2-5/8X85
150 6	165.1 6.500	450 3.10	197.5 7.78	263.5 10.37	50.8 2.00	2-5/8X85
165 6	168.3 6.625	450 3.10	202 7.95	270 10.63	52.5 2.07	2-5/8X85
200 8	219.1 8.625	450 3.10	260.0 10.24	351.0 13.82	60.5 2.38	2-3/4X115
250 10	273.0 10.750	300 2.07	318 12.52	395.0 15.55	63.5 2.50	2-3/4X120
300 12	323.9 12.750	300 2.07	368.5 14.50	458 18.00	63.5 2.50	2-7/8X140