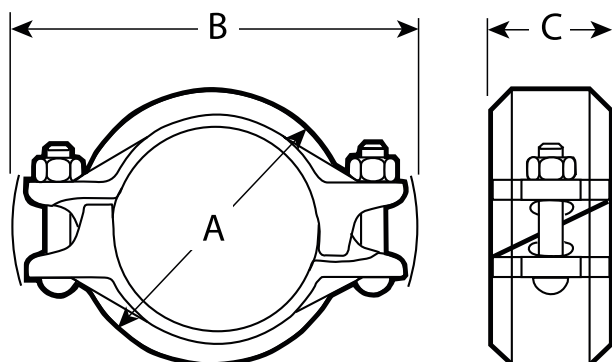


ACOPLE RÍGIDO RANURADO



Colores Referenciales

- ◆ Material: Fierro Dúctil A536
- ◆ Sistema tipo Victaulic
- ◆ Diseño de cierre angular para mayor rigidez
- ◆ Resisten a la flexión y la torsión
- ◆ Presión hasta 500 PSI



* Fotos y medidas referenciales.

Día. Nominal mm / in	Tubo O.D mm / in	Presión de Trabajo PSI / MPa	Dimensiones			Tamaño Perno
			A mm / in	B mm / in	C mm / in	Nº - Tamaño mm
25 1	33.7 1.327	500 3.45	59.5 2.35	100 3.94	44.5 1.75	2-3/8X55
32 1¼	42.4 1.669	500 3.45	67.0 2.64	106 4.17	46.0 1.81	2-3/8X55
40 1½	48.3 1.900	500 3.45	72.5 2.85	112 4.41	46.0 1.81	2-3/8X55
50 2	60.3 2.375	500 3.45	85.0 3.35	132 5.20	47.0 1.85	2-3/8X55
65 2½	73.0 2.875	500 3.45	99.0 3.90	140.5 5.53	45.5 1.79	2-3/8X55
65 2½	76.1 3.000	500 3.45	101.5 4.00	147 5.79	45.5 1.79	2-3/8X55
80 3	88.9 3.500	500 3.45	116.0 4.57	170 6.69	47.0 1.85	2-1/2X70
100 4	108.0 4.250	500 3.45	141.0 5.55	196.0 7.72	52.0 2.05	2-1/2X70
100 4	114.3 4.500	500 3.45	146.0 5.75	201.0 7.91	52.5 2.07	2-1/2X70
125 5	133 5.250	450 3.10	167.0 6.57	230.0 9.05	52.5 2.07	2-5/8X85
125 5	139.7 5.500	450 3.10	172.0 6.77	235.0 9.25	52.5 2.07	2-5/8X85
125 5	141.3 5.563	450 3.10	172.0 6.77	234.0 9.21	52.5 2.07	2-5/8X85
150 6	159.0 6.250	450 3.10	193.5 7.62	260.0 10.24	52.5 2.07	2-5/8X85
150 6	165.1 6.500	450 3.10	200.0 7.88	264.0 10.40	52.5 2.07	2-5/8X85
150 6	168.3 6.625	450 3.10	204.0 8.03	270.0 10.63	52.5 2.07	2-5/8X85
200 8	219.1 8.625	450 3.10	260.0 10.24	343.0 13.50	63.0 2.48	2-3/4X115
250A 10	267.4 10.528	300 2.07	320 12.60	400 10.16	63.0 2.48	2-3/4X120
250 10	273.0 10.750	300 2.07	318.0 12.52	410.0 16.14	63.0 2.48	2-3/4X120
300 12	323.9 12.750	300 2.07	368.5 14.50	465.0 18.30	63.5 2.50	2-7/8X140