

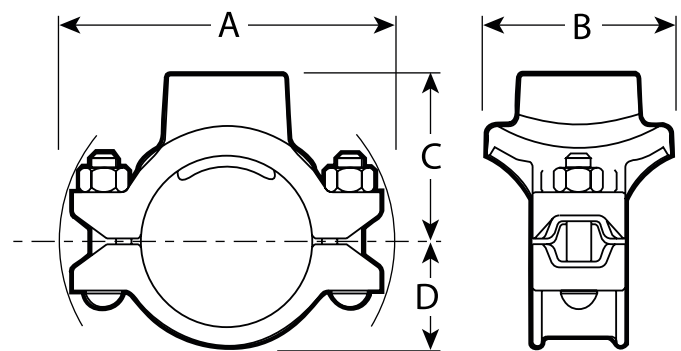
TEE MECÁNICA ROSCADA NPT



Colores Referenciales

- ◆ Material: Fierro Dúctil A536
- ◆ Sistema tipo Victaulic
- ◆ Presión hasta 300 PSI
- ◆ Rosca NPT ANSI B16.5

* Fotos y medidas referenciales.



Tamaño mm / in	Tubo O.D mm / in	Presión de Trabajo PSI / MPa	Dia. Agujero mm / in +1.6,0/+0.063,0	Dimensiones mm / in				Tamaño de perno
				A	B	C	D	Nº - Tamaño mm
50x15 2x1/2	60.3x21.3 2.375x0.825	300 2.07	38 1.50	116 4.57	68 2.68	60 2.36	39 1.54	3/8x55
50x20 2x3/4	60.3x26.9 2.375x1.050	300 2.07	38 1.50	116 4.57	68 2.68	60 2.36	39 1.54	3/8x55
50x25 2x1	60.3x33.7 2.375x1.315	300 2.07	38 1.50	116 4.57	68 2.68	60 2.36	39 1.54	3/8x55
50x32 2x1 1/4	60.3x42.4 2.375x1.660	300 2.07	45 1.75	116 4.57	76 2.99	65 2.56	39 1.54	3/8x55
50x40 2x1 1/2	60.3x48.3 2.375x1.900	300 2.07	45 1.75	116 4.57	76 2.99	65 2.56	39 1.54	3/8x55
65x20 2 1/2 x 3/4	73.0x26.9 2.875x1.050	300 2.07	38 1.50	144 5.67	71 2.76	75 2.72	49 1.93	1/2x60
65x25 2 1/2 x 1	73.0x33.7 2.875x1.315	300 2.07	38 1.50	144 5.67	70 2.76	69 2.72	49 1.93	1/2x60
65x32 2 1/2 x 1 1/4	73.0x42.4 2.875x1.660	300 2.07	51 2.00	144 5.67	84.5 3.33	73 2.87	49 1.93	1/2x60
65x40 2 1/2 x 1 1/2	73.0x48.3 2.875x1.900	300 2.07	51 2.00	144 5.67	84.5 3.33	73 2.87	49 1.93	1/2x60
65x15 76.1x1/2	76.1x21.3 3.000x0.825	300 2.07	38 1.50	137 5.39	71 2.80	75 3.05	49.5 1.95	1/2x75
65x20 76.1x3/4	76.1x26.9 3.000x1.050	300 2.07	38 1.50	137 5.39	71 2.80	75 3.05	49.5 1.95	1/2x75
65x25 76.1x1	76.1x33.7 3.000x1.315	300 2.07	38 1.50	137 5.39	71 2.80	75 3.05	49.5 1.95	1/2x75
65x32 76.1x1 1/4	76.1x42.4 3.000x1.660	300 2.07	51 2.00	137 5.39	84.5 3.33	75 3.05	49.5 1.95	1/2x75
65x40 76.1x1 1/2	76.1x48.3 3.000x1.900	300 2.07	51 2.00	137 5.39	84.5 3.33	75 3.05	49.5 1.95	1/2x75

TEE MECÁNICA ROSCADA NPT



Tamaño mm / in	Tubo O.D mm / in	Presión de Trabajo PSI / MPa	Dia. Agujero mm / in +1.6,0/+0.063,0	Dimensiones mm / in				Tamaño de perno
				A	B	C	D	Nº - Tamaño mm
80x25 3x1/2	88.9x21.3 3.500x0.825	300 2.07	38 1.50	152 5.98	72.5 2.85	80 3.15	56.5 2.22	1/2x75
3x3/4	88.9x26.9 3.500x1.050	300 2.07	38 1.50	152 5.98	72.5 2.85	80 3.15	56.5 2.22	1/2x75
80x25 3x1	88.9x33.7 3.500x1.315	300 2.07	38 1.50	152 5.98	72.5 2.85	80 3.15	56.5 2.22	1/2x75
80x32 3x1 1/4	88.9x42.4 3.500x1.660	300 2.07	51 2.00	152 5.98	85.5 3.37	80 3.15	56.5 2.22	1/2x75
80x40 3x1 1/2	88.9x48.3 3.500x1.900	300 2.07	51 2.00	152 5.98	85.5 3.37	80 3.15	56.5 2.22	1/2x75
80x50 3x2	88.9x60.3 3.500x2.375	300 2.07	64 2.50	152 5.98	98 3.86	80 3.15	56.5 2.22	1/2x75
100x25 108.0x1	108.1x33.7 4.250x1.315	300 2.07	38 1.50	172 6.77	78.5 3.09	87 3.43	64.5 2.54	1/2x75
100x32 108.0x1 1/4	108.1x42.4 4.250x1.660	300 2.07	51 2.00	172 6.77	89 3.50	87 3.43	64.5 2.54	1/2x75
100x40 108.0x1 1/2	108.0x48.3 4.250x1.900	300 2.07	51 2.00	172 6.77	89 3.50	87 3.43	64.5 2.54	1/2x75
100x50 108.0x2	108.0x60.3 4.250x2.375	300 2.07	64 2.50	172 6.77	106.5 4.19	92 3.62	64.5 2.54	1/2x75
100x65 108.0x76.1	108.0x76.1 4.250x3.000	300 2.07	70 2.75	172 6.77	106.5 4.19	100 3.94	64.5 2.54	1/2x75
100x15 4x1/2	114.3x21.3 4.500x0.825	300 2.07	38 1.50	188 7.40	78.5 3.09	90 3.54	70 2.76	1/2x75
100x20 4x3/4	114.3x26.9 4.500x1.050	300 2.07	38 1.50	188 7.40	78.5 3.09	90 3.54	70 2.76	1/2x75
100x25 4x1	114.3x33.7 4.500x1.315	300 2.07	38 1.50	188 7.40	78.5 3.09	93 3.66	70 2.76	1/2x75
100x32 4x1 1/4	114.3x42.4 4.500x1.660	300 2.07	51 2.00	188 7.40	89 3.50	95 3.74	70 2.76	1/2x75
100x40 4x1 1/2	114.3x48.3 4.500x1.900	300 2.07	51 2.00	188 7.40	89 3.50	97 3.82	70 2.76	1/2x75
100x50 4x2	114.3x60.3 4.500x2.375	300 2.07	64 2.50	188 7.40	104.5 4.11	100 3.94	70 2.76	1/2x75
100x65 4x2 1/2	114.3x73.0 4.500x2.875	300 2.07	70 2.75	188 7.40	104.5 4.11	102 4.02	70 2.76	1/2x75
100x65 4x76.1	114.3x76.1 4.500x3.000	300 2.07	70 2.75	188 7.40	104.5 4.11	102 4.02	70 2.76	1/2x75
100x80 4x3	114.3x88.9 4.500x3.500	300 2.07	89 3.50	188 7.40	124 4.88	102 4.02	70 2.76	1/2x75
125x25 133.0x1	133.0x33.7 5.250x1.315	300 2.07	38 1.50	209 8.23	78 3.07	105 4.13	77 3.03	5/8x85
125x32 133.0x1.25	133.0x42.4 5.250x1.660	300 2.07	51 2.00	209 8.23	93 3.66	105 4.13	77 3.03	5/8x85
125x40 133.0x1 1/2	133.0x48.3 5.250x1.900	300 2.07	51 2.00	209 8.23	93 3.66	105 4.13	77 3.03	5/8x85
125x50 133.0x2	133.0x60.3 5.250x2.375	300 2.07	64 2.50	209 8.23	112.5 4.43	110 4.33	77 3.03	5/8x85
125x65 133.0x76.1	133.0x76.1 5.250x3.000	300 2.07	70 2.75	209 8.23	112.5 4.43	115 4.53	77 3.03	5/8x85
125x80 133.0x3	133.0x88.9 5.250x3.500	300 2.07	89 3.50	209 8.23	132 5.20	118 4.65	77 3.03	5/8x85

* Fotos y medidas referenciales.

TEE MECÁNICA ROSCADA NPT



Tamaño mm / in	Tubo O.D mm / in	Presión de Trabajo PSI / MPa	Dia. Agujero mm / in +1.6,0/+0.063,0	Dimensiones mm / in				Tamaño de perno
				A	B	C	D	Nº - Tamaño mm
125x25 139.7x1	139.7x33.7 5.500x1.315	300 2.07	38 1.50	221.5 8.72	78 3.07	110 4.33	84 3.31	5/8x85
125x32 139.7x1¼	139.7x42.4 5.500x1.660	300 2.07	51 2.00	221.5 8.72	93 3.66	112 4.41	84 3.31	5/8x85
125x40 139.7x1½	139.7x48.3 5.500x1.900	300 2.07	51 2.00	221.5 8.72	93 3.66	112 4.41	84 3.31	5/8x85
125x50 139.7x2	139.7x60.3 5.500x2.375	300 2.07	64 2.50	221.5 8.72	112.5 4.43	115 4.53	84 3.31	5/8x85
125x65 139.7x76.1	139.7x76.1 5.500x3.000	300 2.07	70 2.75	221.5 8.72	112.5 4.43	115 4.53	84 3.31	5/8x85
125x80 139.7x3	139.7x88.9 5.500x3.500	300 2.07	89 3.50	221.5 8.72	132 5.20	120 4.72	84 3.31	5/8x85
125x100 139.7x4	139.7x114.3 5.500x4.500	300 2.07	114 4.50	221.5 8.72	156 6.30	125 4.92	84 3.31	5/8x85
150x25 159.0x1	159.0x33.7 6.250x1.315	300 2.07	38 1.50	244 9.60	78 3.07	116 4.57	94 3.70	5/8x110
150x32 159.0x1¼	159.0x42.4 6.250x1.660	300 2.07	51 2.00	244 9.60	93 3.66	118 4.65	94 3.70	5/8x110
150x40 159.0x1½	159.0x48.3 6.250x1.900	300 2.07	51 2.00	244 9.60	93 3.66	118 4.65	94 3.70	5/8x110
150x50 159.0x2	159.0x60.3 6.250x2.375	300 2.07	64 2.50	244 9.60	112.5 4.43	115 4.92	94 3.70	5/8x110
150x65 159.0x76.1	159.0x76.1 6.250x3.000	300 2.07	70 2.75	244 9.60	112.5 4.43	125 4.92	94 3.70	5/8x110
150x80 159.0x3	159.0x88.9 6.250x3.500	300 2.07	89 3.50	244 9.60	133 5.20	125 4.92	94 3.70	5/8x110
150x100 159.0x4	159.1x114.3 6.250x4.500	300 2.07	114 4.50	244 9.60	156.5 6.16	130 5.12	94 3.70	5/8x110
150x15 165.1x½	165.1x21.3 6.500x0.825	300 2.07	38 1.50	244 9.60	78 3.07	115 4.53	97.5 3.84	5/8x110
125x20 165.1x¾	165.1x26.9 6.500x1.050	300 2.07	38 1.50	244 9.60	78 3.07	115 4.53	97.5 3.84	5/8x110
150x25 165.1x1	165.1x33.7 6.500x1.315	300 2.07	38 1.50	244 9.60	78 3.07	118 4.65	97.5 3.84	5/8x110
150x32 165.1x1¼	165.1x42.4 6.500x1.660	300 2.07	51 2.00	244 9.60	93 3.66	118 4.65	97.5 3.84	5/8x110
150x40 165.1x1½	165.1x48.3 6.500x1.900	300 2.07	51 2.00	244 9.60	93 3.66	118 4.65	97.5 3.84	5/8x110
150x50 165.1x2	165.1x60.3 6.500x2.375	300 2.07	64 2.50	244 9.60	112.5 4.43	128.5 5.43	97.5 3.84	5/8x110
150x65 165.1x76.1	165.1x76.1 6.500x3.000	300 2.07	70 2.75	244 9.60	112.5 4.43	128.5 5.43	97.5 3.84	5/8x110

* Fotos y medidas referenciales.