

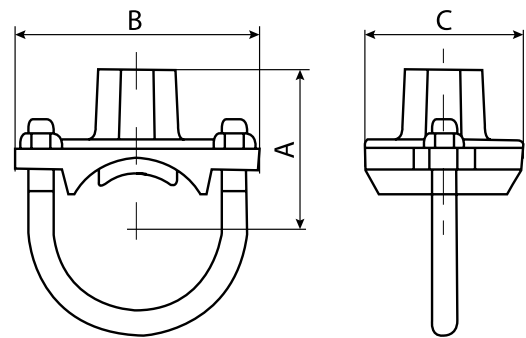
TEE MECÁNICA CON U-BOLT



Colores Referenciales

- ◆ Material: Fierro Dúctil A536
- ◆ Sistema tipo Victaulic
- ◆ U-Bolt: Acero al Carbono, acabado galvanizado
- ◆ Presión hasta 300 PSI

* Fotos y medidas referenciales.



Tamaño mm / in	Presión de Trabajo PSI / MPa	Dia. Agujero mm / in +1.6,0/+0.063,0	Dimensiones mm / in			Tamaño de U-Bolt Nº - Tamaño mm
			A	B	C	
32X15 1¼X1/2	30 1.18	300 2.07	54.4 2.14	88.9 3.50	57.2 2.25	3/8X67
32X20 1¼X3/4	30 1.18	300 2.07	54.4 2.14	88.9 3.50	57.2 2.25	3/8X67
32X25 1¼X1	30 1.18	300 2.07	57.7 2.27	88.9 3.50	57.2 2.25	3/8X67
40X15 1½X1/2	30 1.18	300 2.07	57.4 2.26	88.9 3.50	57.2 2.25	3/8X67
40X20 1½X3/4	30 1.18	300 2.07	57.4 2.26	88.9 3.50	57.2 2.25	3/8X67
40X25 1½X1	30 1.18	300 2.07	60.8 2.39	88.9 3.50	57.2 2.25	3/8X67
50X15 2X1/2	30 1.18	300 2.07	63.3 2.49	95.3 3.75	57.2 2.25	3/8X82
50X20 2X3/4	30 1.18	300 2.07	63.3 2.49	95.3 3.75	57.2 2.25	3/8X82
50X25 2X1	30 1.18	300 2.07	66.6 2.62	95.3 3.75	57.2 2.25	3/8X82
65X15 2½X1/2	30 1.18	300 2.07	69.9 2.75	108.0 4.25	57.2 2.250	3/8X95
65X20 2½X3/4	30 1.18	300 2.07	69.9 2.75	108.0 4.25	57.2 2.250	3/8X95
65X25 2½X1	30 1.18	300 2.07	73.2 2.88	108.0 4.25	57.2 2.25	3/8X95
65X15 76.1X1/2	30 1.18	300 2.07	69.9 2.75	108.0 4.25	57.2 2.250	3/8X98
65X20 76.1X3/4	30 1.18	300 2.07	69.9 2.75	108.0 4.25	57.2 2.250	3/8X98
65X25 76.1X1	30 1.18	300 2.07	73.2 2.88	108.0 4.25	57.2 2.25	3/8X98