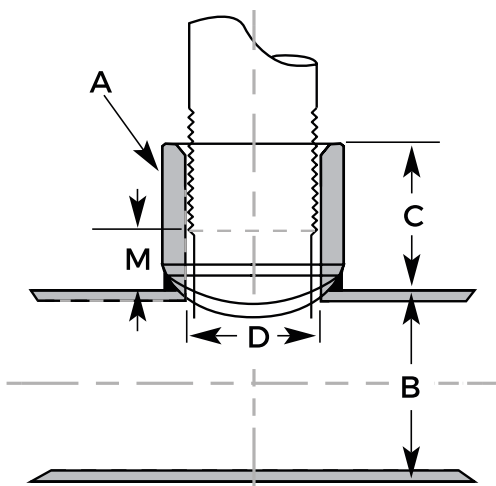


SALIDA SOLDABLE ROSCADA



Colores Referenciales

- ◆ Material: Acero A53
- ◆ Presión hasta 300 PSI
- ◆ SCH 40



Día. Nominal in. (mm)	Tubo O.D in. (mm)	Largo de Salida in. (mm)	Diá. Int. in. (mm)	Ajuste in. (mm)	Peso Aprox. Lb (kg)
A	B	C	D	M	
1/4" (6)	1/4" - 8" (6 - 200)	-	-	-	0.080 (0.04)
1/2" (13)	1 1/4" - 1 1/2" (32- 40)	1.063 (27.0)	0.700 (17.8)	0.500 (12.7)	0.171 (0.08)
	1 1/2" - 2" (40-50)	1.063 (27.0)	0.700 (17.8)	0.500 (12.7)	0.171 (0.08)
	2" - 2 1/2" (50 - 65)	1.063 (27.0)	0.700 (17.8)	0.500 (12.7)	0.171 (0.08)
	2 1/2" - 8" (65 - 200)	1.063 (27.0)	0.700 (17.8)	0.500 (12.7)	0.171 (0.08)
3/4" (19)	1 1/4" - 1 1/2" (32- 40)	1.125 (28.6)	0.900 (22.9)	0.500 (12.7)	0.260 (0.12)
	1 1/2" - 2" (40-50)	1.125 (28.6)	0.900 (22.9)	0.500 (12.7)	0.260 (0.12)
	2" - 2 1/2" (50 - 65)	1.125 (28.6)	0.900 (22.9)	0.500 (12.7)	0.260 (0.12)
	2 1/2" - 8" (65 - 200)	1.125 (28.6)	0.900 (22.9)	0.500 (12.7)	0.260 (0.12)
1" (25)	1 1/4" - 1 1/2" (32- 40)	1.250 (31.8)	1.145 (29.1)	0.500 (12.7)	0.331 (0.15)
	1 1/2" - 2" (40-50)	1.250 (31.8)	1.145 (29.1)	0.500 (12.7)	0.331 (0.15)
	2" - 2 1/2" (50 - 65)	1.250 (31.8)	1.145 (29.1)	0.500 (12.7)	0.320 (0.15)
	2 1/2" - 3" (65 - 80)	1.250 (31.8)	1.145 (29.1)	0.500 (12.7)	0.314 (0.14)
	3" - 4" (80 - 100)	1.250 (31.8)	1.145 (29.1)	0.500 (12.7)	0.309 (0.14)
	5" - 8" (125 - 200)	1.250 (31.8)	1.145 (29.1)	0.500 (12.7)	0.291 (0.13)
1 1/4"	1 1/4" (32)	1.375 (34.9)	1.490 (37.8)	0.500 (12.7)	0.432 (0.19)
	1 1/2" - 2" (40-50)	1.375 (34.9)	1.490 (37.8)	0.500 (12.7)	0.421 (0.19)
	2" - 2 1/2" (50 - 65)	1.375 (34.9)	1.490 (37.8)	0.500 (12.7)	0.421 (0.19)
	2 1/2" - 3" (65 - 80)	1.375 (34.9)	1.490 (37.8)	0.500 (12.7)	0.411 (0.19)
	3" - 4" (80 - 100)	1.375 (34.9)	1.490 (37.8)	0.500 (12.7)	0.389 (0.18)
	5" - 8" (125 - 200)	1.375 (34.9)	1.490 (37.8)	0.500 (12.7)	0.389 (0.18)
1 1/2"	1 1/2" (40)	1.625 (41.3)	1.610 (40.9)	0.875 (22.2)	0.477 (0.22)
	2" (50)	1.625 (41.3)	1.610 (40.9)	0.875 (22.2)	0.477 (0.22)
	2 1/2" (65)	1.625 (41.3)	1.610 (40.9)	0.875 (22.2)	0.477 (0.22)
	3" - 4" (80 - 100)	1.625 (41.3)	1.610 (40.9)	0.875 (22.2)	0.477 (0.22)
	4" (100)	1.625 (41.3)	1.610 (40.9)	0.875 (22.2)	0.477 (0.22)
	5" - 8" (125 - 200)	1.625 (41.3)	1.610 (40.9)	0.875 (22.2)	0.477 (0.22)

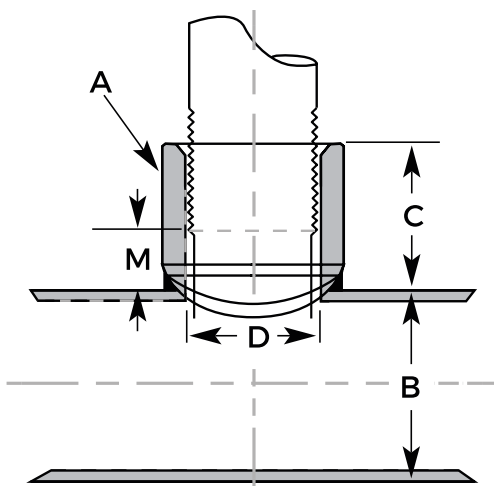
* Fotos y medidas referenciales.

SALIDA SOLDABLE ROSCADA



Colores Referenciales

- ◆ Material: Acero A53
- ◆ Presión hasta 300 PSI
- ◆ SCH 40



Día. Nominal in. (mm)	Tubo O.D in. (mm)	Largo de Salida in. (mm)	Diá. Int. in. (mm)	Ajuste in. (mm)	Peso Aprox. Lb (kg)
A	B	C	D	M	
2" (50)	2" (50)	1.750 (44.5)	2.067 (52.5)	0.875 (22.2)	0.857 (0.38)
	2 1/2" (65)	1.750 (44.5)	2.067 (52.5)	0.875 (22.2)	0.829 (0.38)
	3" (80)	1.750 (44.5)	2.067 (52.5)	0.875 (22.2)	0.829 (0.39)
	4" (100)	1.750 (44.5)	2.067 (52.5)	0.875 (22.2)	0.800 (0.36)
	5" (125)	1.750 (44.5)	2.067 (52.5)	0.875 (22.2)	0.743 (0.34)
	6" (150)	1.750 (44.5)	2.067 (52.5)	0.875 (22.2)	0.734 (0.34)
	8" (200)	1.750 (44.5)	2.067 (52.5)	0.875 (22.2)	0.734 (0.34)
2 1/2" (65)	2 1/2" (65)	2.215 (54.0)	2.469 (62.7)	1.125 (28.6)	1.250 (0.55)
	3" (80)	2.215 (54.0)	2.469 (62.7)	1.125 (28.6)	1.200 (0.55)
	4" (100)	2.215 (54.0)	2.469 (62.7)	1.125 (28.6)	1.150 (0.52)
	5" (125)	2.215 (54.0)	2.469 (62.7)	1.125 (28.6)	1.150 (0.52)
	6" (150)	2.215 (54.0)	2.469 (62.7)	1.125 (28.6)	1.150 (0.52)
	8" (200)	2.215 (54.0)	2.469 (62.7)	1.125 (28.6)	1.150 (0.52)
3" (80)	3" (80)	2.500 (54.0)	3.068 (77.9)	1.500 (38.1)	1.550 (0.70)
	4" (100)	2.500 (54.0)	3.068 (77.9)	1.500 (38.1)	1.450 (0.66)
	5" (125)	2.500 (54.0)	3.068 (77.9)	1.500 (38.1)	1.450 (0.66)
	6" (150)	2.500 (54.0)	3.068 (77.9)	1.500 (38.1)	1.450 (0.66)
	8" (200)	2.500 (54.0)	3.068 (77.9)	1.500 (38.1)	1.450 (0.66)
4" (100)	4" (100)	3.000 (76.2)	4.026 (102.3)	2.000 (50.8)	2.850 (1.29)
	5" (125)	3.000 (76.2)	4.026 (102.3)	2.000 (50.8)	2.850 (1.29)
	6" (150)	3.000 (76.2)	4.026 (102.3)	2.000 (50.8)	2.800 (1.27)
	8" (200)	3.000 (76.2)	4.026 (102.3)	2.000 (50.8)	2.800 (1.27)

* Fotos y medidas referenciales.