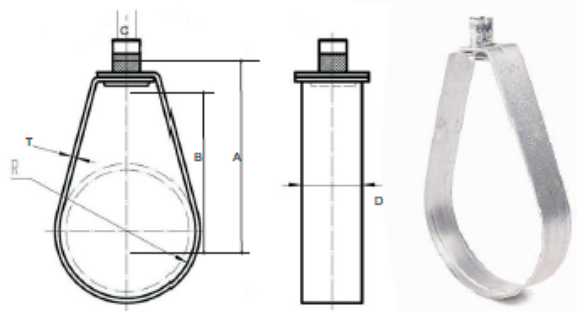


# SWIVEL BAND HANGER

## COLGADOR TIPO GOTA UL / FM

### Swivel Band Hanger

- Material : Carbon Steel - Pre-Galvanized
- Application : Use for all general purpose and fire protection lines. The knurled nut allows for hanger alignment and adjustment after installation.
- Ordering : Specify pipe size and figure number .
- Approvals : Underwriters Laboratory Listed, FM Approved. Complies with Manufactures Standardization Society.



1/2" thru 6" ,Pre-Galvanized only



3/4" thru 6" ,Pre-Galvanized, only

Size		"C"		"A"	"B"	"D"		"T"		Max Rec Load
in	pipe size	in	metric	mm	mm	in	mm	in	gauge	lbs.
1/2	21.4	3/8	M10	54.50	41.50	5/8	16	1.2	18	300
3/4	26.7	3/8	M10	60.50	45.34	5/8	16	1.2	18	300
1	33.4	3/8	M10	64.16	47.73	5/8	16	1.2	18	300
1-1/4	42.2	3/8	M10	70.74	54.31	5/8	16	1.2	18	300
1-1/2	48.3	3/8	M10	74.01	57.58	5/8	16	1.2	18	300
2	60.4	3/8	M10	82.59	66.16	5/8	16	1.2	18	300
2-1/2	73.1	3/8	M10	104.5	88.69	7/8	22	1.5	16	600
3	88.9	3/8	M10	112.5	96.12	7/8	22	1.5	16	600
3-1/2	101.6	3/8	M10	120.5	100.5	7/8	22	1.5	16	600
4	114.3	3/8	M10	126.9	110.7	7/8	22	1.5	16	1000
4	114.3	3/8	M10	126.9	110.7	7/8	22	2.0	14	1200
5	141.3	1/2	M12	145.5	135.7	3/4	19	2.5	12	1000
6	168.3	1/2	M12	173.2	154.1	3/4	19	2.5	12	1200
8	219.1	1/2	M12	211.5	192.4	3/4/1	19/25	2.5	12	1200