



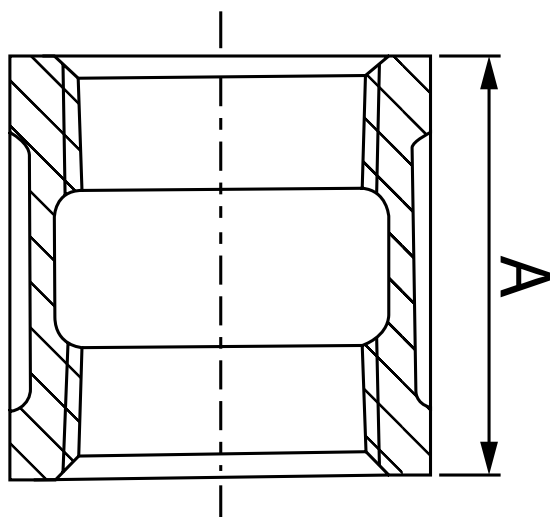
MECH



* Foto referencial

Material:
Bronce fundido
ASTM B584
Clase: 125
Dimensiones:
ASME B16.15
Extremos: Roscados
NPT ASME B1.20.1

MOD. 220



MAC - MMXXII

Medida		Dimensión (mm)
pulg	mm	A
1/2"	15	20

* Note : Dimensions, design and materials are subject to change without notice.