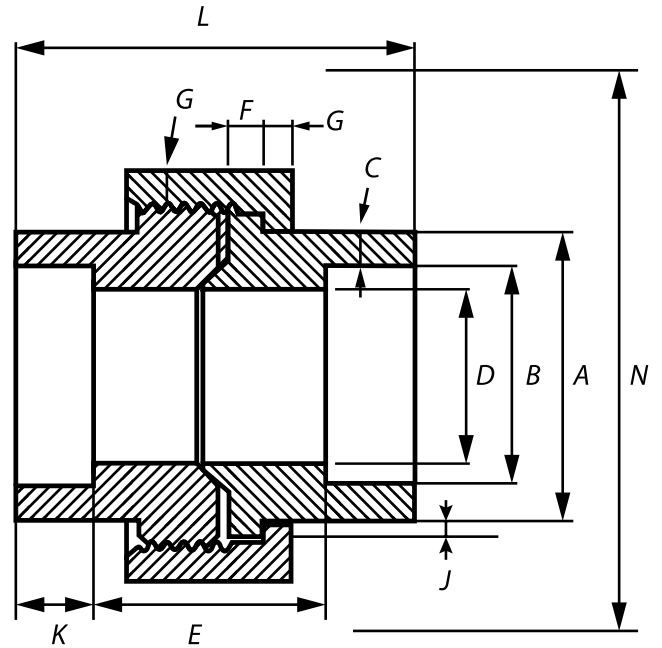




* Reference photo



Units: Millimeters (mm)

Design: MSS-SP-83
Socket Weld
Material: Forged Steel ASTM A105
Class: 3000
Correlation: Schedule 160

Nominal Pipe Size		Pipe End	Socket Bore Dia.	Socket Wall	Water Way Bore max / min	Laying Length	Male Flange	Nut	Bearing	Depth of Socket	Length Assem. Nominal	Clear Assem. Nut	Approx. Weight
inch	mm	Min. A	max / min B	Min. C	D	E	Min. F	Min. G	Min. J	Min. K	L	N	kg
1/8"	6	21.8	11.18 / 10.67	3.18	7.59 / 6.07	22.4 / 19.1	3.18	3.18	1.24	9.7	41.4	50.8	0.19
1/4"	8	21.8	14.61 / 14.10	3.30	10.01 / 8.48	22.4 / 19.1	3.18	3.18	1.24	9.7	41.4	50.8	0.17
3/8"	10	25.9	18.03 / 17.53	3.51	13.28 / 11.76	26.9 / 20.6	3.43	3.43	1.37	9.7	46.0	55.9	0.24
1/2"	15	31.2	22.23 / 21.73	4.09	16.56 / 15.04	26.9 / 20.6	3.68	3.68	1.50	9.7	49.0	58.4	0.36
3/4"	20	37.1	27.56 / 27.05	4.27	21.69 / 20.17	31.8 / 25.4	4.06	4.06	1.68	12.7	56.9	66.0	0.57
1"	25	45.5	34.29 / 33.78	4.98	27.41 / 25.88	34.3 / 26.2	4.57	4.45	1.85	12.7	62.0	78.7	0.82
1 1/4"	32	54.9	43.05 / 42.55	5.28	35.81 / 34.29	40.6 / 32.5	5.33	5.21	2.13	12.7	71.1	94.0	1.31
1 1/2"	40	61.5	49.15 / 48.64	5.54	41.66 / 40.13	42.2 / 34.0	5.84	5.59	2.31	12.7	76.5	111.8	1.65
2"	50	75.2	61.62 / 61.11	6.05	53.26 / 51.74	45.5 / 37.3	6.60	6.35	2.69	15.7	86.1	132.1	2.63
2 1/2"	65	91.7	74.45 / 73.81	7.67	64.24 / 61.19	61.7 / 52.1	7.49	7.11	3.07	15.7	102.4	149.9	3.98
3"	80	109.2	90.42 / 89.79	8.31	79.45 / 76.40	63.8 / 53.6	8.26	8.00	3.53	15.7	109.0	175.3	5.89
4"	100	-	-	-	-	-	-	-	-	-	-	-	11.59

* Note : Dimensions, design and materials are subject to change without notice.

MAC EDITIONS - MMXXIV

