

Normas de Diseño:

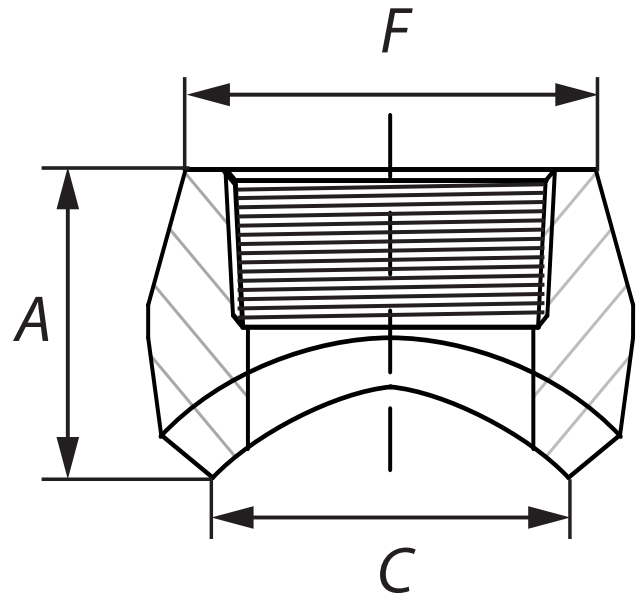
Roscado NPT ANSI B1.20.1

MSS-SP-97-2001

Material: Acero Inoxidable ASTM A182

304L y 316L

Presión de Trabajo: 3000 PSIG



Cédula standard y extra strong

Unidad: Milímetros (mm)

| Medida | | A | C | F |
|--------|-----|------|-------|-------|
| pulg | mm | | | |
| 1/8" | 6 | 19.0 | 13.7 | 17.3 |
| 1/4" | 8 | 19.0 | 13.7 | 22.0 |
| 3/8" | 10 | 21.0 | 17.1 | 25.8 |
| 1/2" | 15 | 25.0 | 21.3 | 31.3 |
| 3/4" | 20 | 27.0 | 26.7 | 37.1 |
| 1" | 25 | 33.0 | 33.4 | 45.5 |
| 1 1/4" | 32 | 33.0 | 42.2 | 54.9 |
| 1 1/2" | 40 | 35.0 | 48.3 | 61.6 |
| 2" | 50 | 38.0 | 60.3 | 75.3 |
| 2 1/2" | 65 | 46.0 | 73.0 | 91.7 |
| 3" | 80 | 51.0 | 88.9 | 109.1 |
| 4" | 100 | 57.0 | 114.3 | 137.2 |