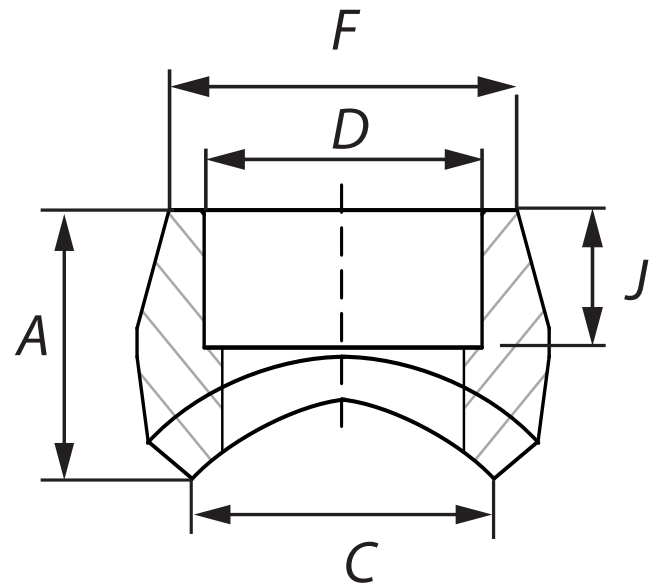


Normas de Diseño:
MSS-SP-97-2001
Material: Acero Inoxidable ASTM A182
CF8 (304) y CF8M (316)
Presión de Trabajo: 3000 PSIG


Cédula standard y extra strong
Unidad: Milímetros (mm)

Medida		A	C	D	F	J (Min.)
pulg	mm					
1/8"	6	19.0	13.7	10.9	17.3	10.0
1/4"	8	19.0	13.7	14.4	22.0	10.0
3/8"	10	21.0	17.1	17.8	25.8	10.0
1/2"	15	25.0	21.3	22.0	31.3	10.0
3/4"	20	27.0	26.7	27.3	37.1	13.0
1"	25	33.0	33.4	34.1	45.5	13.0
1 1/4"	32	33.0	42.2	42.8	54.9	13.0
1 1/2"	40	35.0	48.3	48.9	61.6	13.0
2"	50	38.0	60.3	61.4	75.3	16.0
2 1/2"	65	46.0	73.0	74.2	91.7	16.0
3"	80	51.0	88.9	90.1	109.1	16.0
4"	100	57.0	114.3	115.8	137.2	19.0