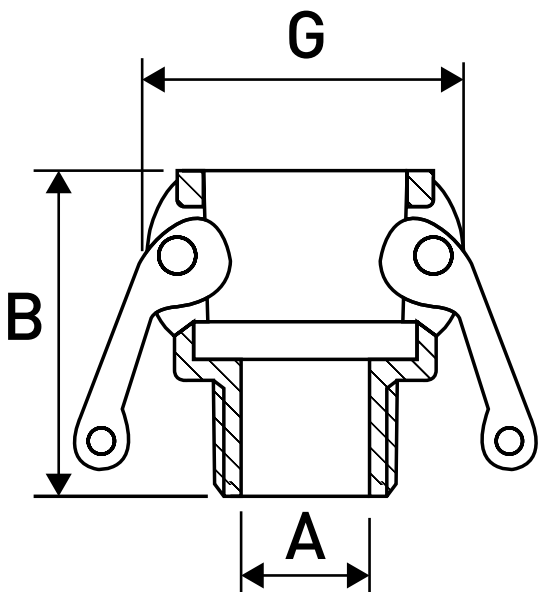
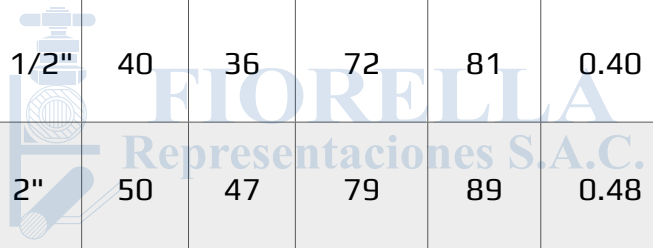


Design Norm: Federal Mil A-A-59326A
 Threaded: NPT ANSI B1.20.1
 Material: Stainless Steel 316
 Working Pressure:
 1/2" 150 PSI, 3/4" - 2" 250 PSI, 2 1/2"
 225 PSI, 3" 200 PSI, 4"-6" 100 PSI



MAC EDITIONS - MMXXIII

Size		A (mm)	B (mm)	G (mm)	Weight (kg)
inch	mm				
1/2"	13	14	47	39	0.12
3/4"	19	19	54	54	0.15
1"	25	23	62	60	0.22
1 1/4"	32	30	68	80	0.37
1 1/2"	40	36	72	81	0.40
2"	50	47	79	89	0.48
2 1/2"	65	60	87	105	1.35
3"	75	72	91	90	1.76
4"	100	100	99	148	2.33
5"	125	123	103	175	3.62
6"	150	150	113	220	5.36



* Note : Dimensions, design and materials are subject to change without notice.