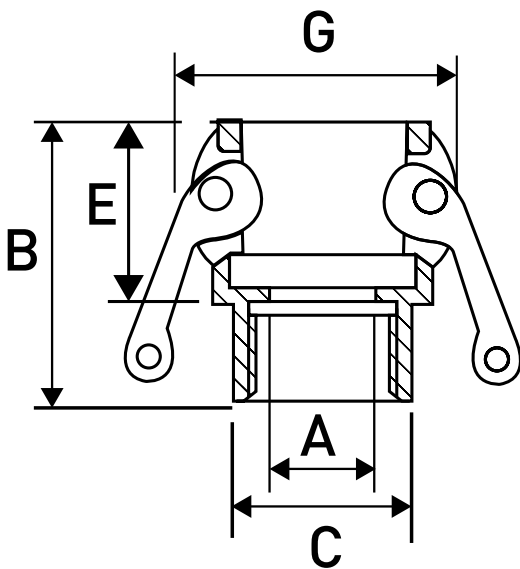


Design Norm: Federal Mil A-A-59326A
 Threaded: NPT ANSI B1.20.1
 Material: Stainless Steel 316
 Working Pressure:
 1/2" 150 PSI, 3/4" - 2" 250 PSI, 2 1/2"
 225 PSI, 3" 200 PSI, 4"-6" 100 PSI



Size		A (mm)	B (mm)	C (mm)	E (mm)	G (mm)	Weight (kg)
inch	mm						
1/2"	13	14	48	26	32	39	0.12
3/4"	19	21	53	34	35	54	0.17
1"	25	25	60	40	39	59	0.23
1 1/4"	32	30	70	51	46	70	0.39
1 1/2"	40	36	74	57	47	80	0.42
2"	50	46	81	68	54	89	0.54
2 1/2"	65	56	87	82	57	105	0.83
3"	75	73	90	98	59	121	1.07
4"	100	101	100	124	61	150	1.48
5"	125	121	102	152	63	180	3.94
6"	150	141	108	181	68	220	6.80



MAC EDITIONS - MMXXIII

* Note : Dimensions, design and materials are subject to change without notice.