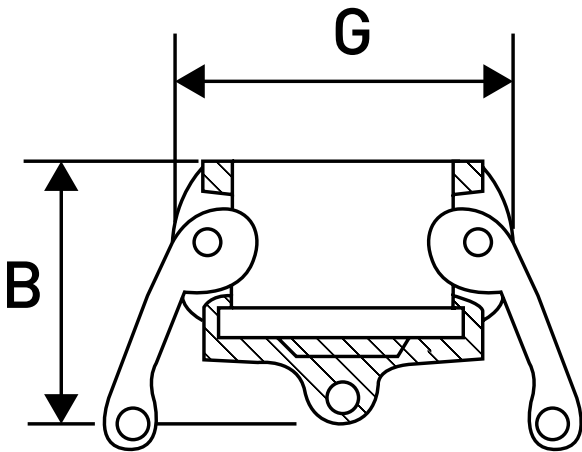


Design Norm: Federal Mil A-A-59326A
 Material: Stainless Steel 316
 Working Pressure:
 1/2" 150 PSI, 3/4" - 2" 250 PSI, 2 1/2"
 225 PSI, 3" 200 PSI, 4"-6" 100 PSI



| Size | | B (mm) | G (mm) | Weight (kg) |
|--------|-----|-----------|-----------|----------------|
| inch | mm | | | |
| 1/2" | 13 | 43 | 39 | 0.11 |
| 3/4" | 19 | 46 | 54 | 0.14 |
| 1" | 25 | 52 | 59 | 0.19 |
| 1 1/4" | 32 | 60 | 70 | 0.35 |
| 1 1/2" | 40 | 63 | 80 | 0.38 |
| 2" | 50 | 70 | 89 | 0.46 |
| 2 1/2" | 65 | 73 | 105 | 1.07 |
| 3" | 75 | 78 | 121 | 1.59 |
| 4" | 100 | 90 | 150 | 2.21 |
| 5" | 125 | 105 | 180 | 3.50 |
| 6" | 150 | 113 | 220 | 5.08 |

* Note : Dimensions, design and materials are subject to change without notice.