

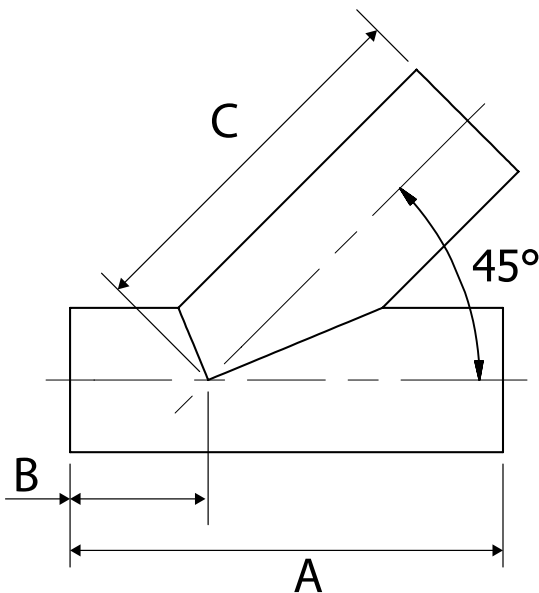


* Reference photo

Norm: ASTM A270
Standard: 3A
Material: SS 304
Ends: Welded
Polish: 320 Grit Inside / Outside
Tolerances: The wall thickness at any point shall not vary more than 12.5 %, from the specified wall thickness.

Fiorella Representaciones S.A.C.
 Importador y distribuidor autorizado de productos HGA para Perú y para su exportación.

DIMENSIONS



SIZE	A	B	C	T (wall thickness)
inch	mm	mm	mm	mm
1"	152.4	25.4	127.0	1.65
1 1/4"	-	-	-	1.65
1 1/2"	187.3	30.2	157.2	1.65
2"	222.3	41.3	181.0	1.65
2 1/2"	254.0	38.1	215.9	1.65
3"	273.1	47.6	225.4	1.65
4"	325.4	51.2	273.1	2.11

* Photos and reference data. We accept no liability for incorrect uses or misinterpretations of this data.

