

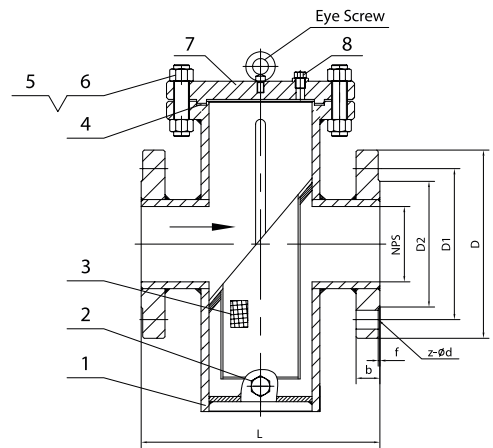


* Reference photo

Body and Cover Cast Steel
 ASTM A216 WCB
 Class 150
 Steel Valves: ANSI/ASME B16.34
 Flange dimensions: ANSI B16.5 RF
 Face to Face dimensions: ANSI B16.10
 Screen Stainless Steel 316 o 304
 Mesh 40
 Hydrostatic Testing API 598

MATERIALS

	PART NAME	MATERIAL
1	BODY	STEEL
2	SEWAGE BOLTS	A105
3	SCREEN	SS304
4	GASKET	304+Graphite
5	STUD	A193-B7
6	NUT	A194-2H
7	BONNET	CAST STEEL A216 WCB
8	SEWAGE BOLTS	A105



Fiorella Representaciones S.A.C.
 Importador y distribuidor autorizado de
 válvulas REX para Perú y para su exportación.

DIMENSIONS (mm)

SIZE	L	D	D1	D2	b	Z-Ød	F	WEIGHT (Kg)
2"	260	152	120.7	92	19	4-Ø19	1.6	13
2 1/2"	330	152	120.7	92	19	4-Ø19	1.6	15
3"	340	190.5	152.5	Ø 127	24	4-Ø19	1.6	22
4"	400	229	190.5	Ø 157	24	8-Ø19	1.6	31.5
6"	500	279	241.3	Ø 216	26	8-Ø19	1.6	93.20

PRESSURE TEMPERATURE RATINGS (PSI)

Temperature °F/°C	Class 150
(-) 20 °F / (-) 29 °C to (+) 100 °F / (+) 38 °C	285
200 °F / 93 °C	260
300 °F / 149 °C	230
400 °F / 204 °C	200
500 °F / 260 °C	170
600 °F / 316 °C	140
650 °F / 343 °C	125
700 °F / 371 °C	110
750 °F / 399 °C	95
800 °F / 427 °C	80
850 °F / 454 °C	65
900 °F / 482 °C	50

* Note : Dimensions, design and materials are subject to change without notice. Approximate weights.

MAC EDITIONS - MMXXIII

