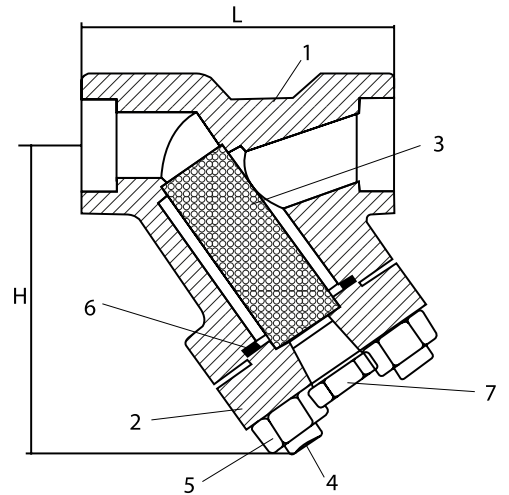




* Reference photo

Body and Cover Forged Steel
 ASTM A105
 Class 1500
 Steel Valves: ASME B16.34
 Screen: Stainless Steel 304 (Opt. 316)
 Mesh: 40
 Threaded End NPT ANSI/ASME B1.20.1
 Hidrostatic Test API 598



Fiorella Representaciones S.A.C.
 Importador y distribuidor autorizado de
 válvulas REX para Perú y para su exportación.

MATERIALS

	PART NAME	MATERIAL
1	BODY	ASTM A105
2	COVER	ASTM A105
3	SCREEN	SS304
4	STUD BOLTS	ASTM A193 B7
5	NUTS	ASTM A194 2H
6	GASKET	316 + GRAPHITE
7	PLUG	ASTM A105

DIMENSIONS (mm)

SIZE	DRAIN PLUG	D1	H	WEIGHT (Kg)
1/2"	1/2"	98	99	5.5
3/4"	1/2"	98	99	7
1"	1/2"	111	110	13
1 1/2"	1/2"	140	138	19
2"	1/2"	170	168	22

PRESSURE TEMPERATURE RATINGS (PSI)

Temperature °F/°C	Class 1500
(-) 20 °F / (-) 29 °C to (+) 100 °F / (+) 38 °C	3705
200 °F / 93 °C	3375
300 °F / 149 °C	3280
400 °F / 204 °C	3170
500 °F / 260 °C	2995
600 °F / 316 °C	2735
650 °F / 343 °C	2685
700 °F / 371 °C	2685
750 °F / 399 °C	2520
800 °F / 427 °C	2060
850 °F / 454 °C	1340
900 °F / 482 °C	860

* Note : Dimensions, design and materials are subject to change without notice. Approximate weights.

MAC EDITIONS - MMXXIII

