

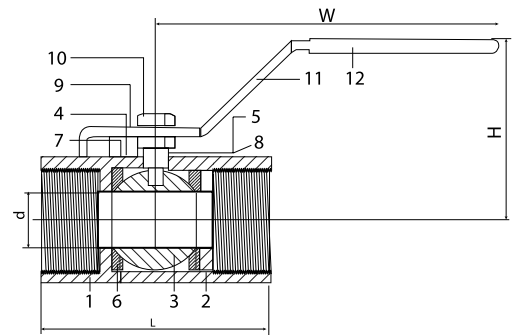


* Reference photo

Steel Body type ASTM A216 WCB.
 Ball: SS 316 (Optional SS 304)
 Seats of RPTFE
 Thread ends NPT ANSI/ASME B1.20.1
 Memoryseal seating technology
 One piece body. Passage reduced.
 Maximum Working Pressure:
 1/4" - 1" 2000 PSIG
 1 1/4" - 2" 1500 PSIG
 Maximum temperature operation:
 RPTFE -20°C (-4°F) to 150°C (302°F)
 Tests according to API 598

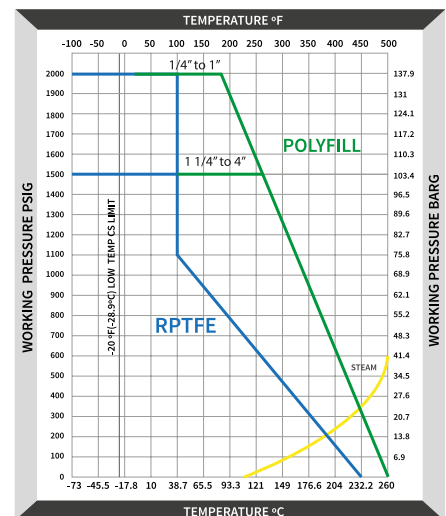
MATERIALS

	PART NAME	MATERIAL
1	BODY	WCB
2	RETAINER	WCB
3	BALL	ASTM 351 CF8M
4	STEM	ASTM A276-316
5	GLAND RING	WCB
6	BALL SEAT	RPTFE
7	THRUST WASHER	PTFE
8	PACKING	PTFE
9	SPRING WASHER	AISI 304
10	STEM NUT	AISI 304
11	HANDLE	AISI 304
12	HANDLE SLEEVE	PVC



Fiorella Representaciones S.A.C.
 Importador y distribuidor autorizado de
 válvulas REX para Perú y para su exportación.

PRESSURE TEMPERATURE RATINGS



* Note : Dimensions, design and materials are subject to change without notice. Approximate weights.