



\* Reference photo

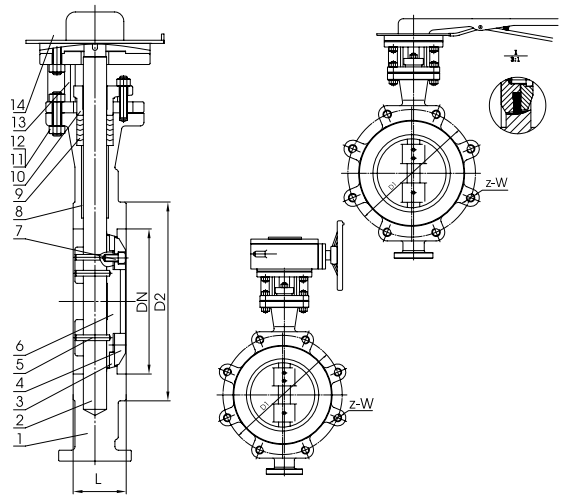
Body: Cast Steel ASTM A216 WCB  
 Designed and Face to Face API 609  
 Flange Connection Class 150 ANSI  
 B16.5 RF  
 Shaft Bi eccentric. Seat metal/metal  
 Mounting actuator ISO 5211 adaptable  
 Operation: Lever or Gearbox  
 Square shaft. Test Hidrostático API 598  
 \* Certification pending to norm API 609  
 from American Petroleum Institute

### MATERIALS

	PART NAME	MATERIAL
1	BODY	A216 WCB
2	STEM	A276 304
3	SEALING-RING	304+GRAPHITE
4	PRESSURE PLATE	A182 F316
5	PIN	A276 304
6	DISK	A351 CF8M
7	BOLT	A193 B8
8	BEARING	-
9	PACKING	GRAPHITE
10	GLAND	A351 CF8
11	BOLT	A193 B7
12	NUT	A194 2H
13	YOKE	A216 WCB
14	HANDWHEEL	CS

### DIMENSIONS (mm)

SIZE	L	D	D1	H	Nº HOLES ANSI	WEIGHT (Kg)
2"	43	120.5	92	4	4-5/8"	8
2 1/2"	46	139.5	105	4	4-5/8"	9
3"	48	152.5	127	4	4-5/8"	12
4"	54	190.5	157	8	8-5/8"	15
6"	57	241.5	216	8	8-3/4"	29
8"	64	298.5	270	8	8-3/4"	44
10"	72	362	330	12	12-7/8"	65
12"	81	432	405	12	12-7/8"	80



Fiorella Representaciones S.A.C.  
 Importador y distribuidor autorizado de  
 válvulas REX para Perú y para su exportación.

### PRESSURE TEMPERATURE RATINGS (PSI)

Temperature °F/°C	Class 150
(-) 20 °F / (-) 29 °C to (+) 100 °F / (+) 38 °C	285
200 °F / 93 °C	260
300 °F / 149 °C	230
400 °F / 204 °C	200
500 °F / 260 °C	170
600 °F / 316 °C	140
650 °F / 343 °C	125
700 °F / 371 °C	110
750 °F / 399 °C	95
800 °F / 427 °C	80
850 °F / 454 °C	65
900 °F / 482 °C	50

\* Note : Dimensions, design and materials are subject to change without notice. Approximate weights.

