

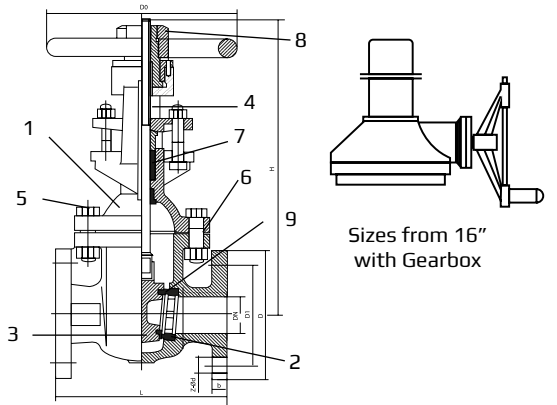


* Reference photo

Body and Bonnet Cast Iron ASTM A126
 Bolted Bonnet
 Rising Stem OS&Y
 Design, Manufacture, Test in accordance with MSS-SP-70
 Flange dimensions: ANSI/ASME B16.1
 Face to Face dimensions: ASME B16.10
 Hydrostatic Testing API 598
 Sizes from 16" with Gearbox

MATERIALS

| | PART NAME | MATERIAL |
|---|--------------|--------------------------|
| 1 | BODY, BONNET | ASTM A126B |
| 2 | SEAT RING | ASTM B62 |
| 3 | DISC | ASTM A126B + ASTM B62 |
| 4 | STEM | SS 410 |
| 5 | BOLT/NUT | ASTM A307 -B |
| 6 | GASKET | GRAPHITE WITH SOFT STEEL |
| 7 | PACKING | GRAPHITE |
| 8 | STEM NUT | ASTM B62 |
| 9 | DISC RING | ASTM B62 |



Fiorella Representaciones S.A.C.
 Importador y distribuidor autorizado de
 válvulas REX para Perú y para su exportación.

DIMENSIONS (mm)

| SIZE | L | D | D1 | b | Z-Ød | D0 | H | WEIGHT (Kg) |
|--------|-----|-----|-----|------|-------|-----|------|-------------|
| 2" | 178 | 152 | 121 | 16 | 4-19 | 200 | 320 | 19 |
| 2 1/2" | 191 | 178 | 140 | 18 | 4-19 | 200 | 345 | 26 |
| 3" | 203 | 191 | 152 | 19 | 4-19 | 200 | 387 | 29 |
| 4" | 229 | 229 | 191 | 24 | 8-19 | 260 | 490 | 50 |
| 5" | 254 | 254 | 216 | 24 | 8.22 | 300 | 576 | 71 |
| 6" | 267 | 279 | 241 | 25.4 | 8-22 | 300 | 680 | 88 |
| 8" | 292 | 343 | 298 | 29 | 8-22 | 350 | 808 | 136 |
| 10" | 330 | 406 | 362 | 30.2 | 12-25 | 400 | 1010 | 214 |
| 12" | 356 | 483 | 432 | 32 | 12-25 | 450 | 1080 | 294 |
| 14" | 381 | 533 | 476 | 35 | 12-29 | 508 | 1640 | 450 |
| 16" | 406 | 597 | 540 | 36.5 | 16-29 | 558 | 1804 | 580 |
| 18" | 432 | 635 | 578 | 39.7 | 16-32 | 610 | 2090 | 760 |
| 20" | 457 | 699 | 635 | 42.9 | 20-32 | 610 | 2490 | 935 |
| 24" | 508 | 813 | 749 | 47.6 | 20-35 | 762 | 2960 | 1230 |

PRESSURE TEMPERATURE RATINGS (PSI)

| Temperature °F/°C | Class 125 | |
|--|-----------|------------|
| | 2" to 14" | 14" to 24" |
| (-) 20 °F / (-) 29 °C to (+) 150 °F / (+) 66 °C | 200 | 150 |
| 200 °F / 93 °C | 190 | 135 |
| 225 °F / 107 °C | 180 | 130 |
| 250 °F / 121 °C | 175 | 125 |
| 275 °F / 135 °C | 170 | 120 |
| 300 °F / 149 °C | 165 | 110 |
| 325 °F / 163 °C | 155 | 105 |
| 350 °F / 177 °C | 150 | 100 |
| 375 °F / 191 °C | 145 | 95 |
| 400 °F / 204 °C | 140 | 90 |
| 425 °F / 218 °C | 130 | 80 |
| 450 °F / 232 °C | 125 | 75 |

* Note : Dimensions, design and materials are subject to change without notice. Approximate weights.

MAC EDITIONS - MMXXIII

