

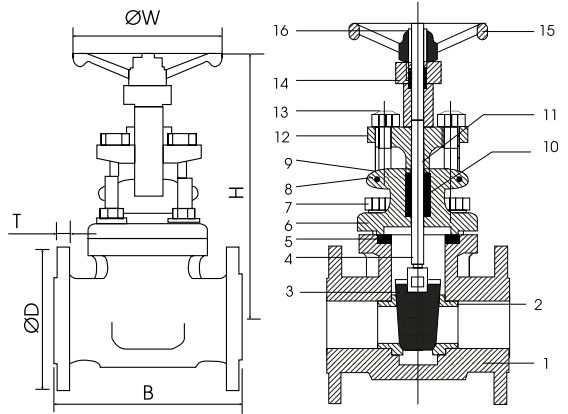


\* Reference photo

Body and Bonnet Forged Steel ASTM A105. Bolted Bonnet.  
 Design, Manufacture, Test in accordance with API 602.  
 Rising Stem OS&Y.  
 Norm to steel valves ASME B16.34  
 Flange dimensions: ANSI B16.5 RF  
 Face to Face dimensions: ASME B16.10  
 Hydrostatic Testing API 598  
 \* Certification pending to norm API 602 from American Petroleum Institute.

**MATERIALS**

	PART NAME	MATERIAL
1	BODY	ASTM A105
2	SEAT RING	S.S. AISI 410
3	DISK	S.S. AISI 410
4	SPINDLE	S.S. AISI 410
5	GASKET	SPIRAL WOUND, S.S. FILLED WITH ASB.
6	BONNET	ASTM A105
7	BONNET BOLT	ASTM A193 Gr. B7
8	SCREW	CARBON STEEL
9	WASHER	CARBON STEEL
10	GLAND PACKING	GRAFOIL
11	GLAND	S.S. AISI 410
12	GLAND PLATE	CARBON STEEL FORGED
13	EYE BOLT / NUT	CARBON STEEL
14	YOKE NUT	NI- RESIST
15	HAND WHEEL	MALLEABLE / CAST IRON
16	H. W. WASHER	CARBON STEEL
17	H. WHEEL NUT	CARBON STEEL



**Fiorella Representaciones S.A.C.**  
 Importador y distribuidor autorizado de válvulas REX para Perú y para su exportación.

**PRESSURE TEMPERATURE RATINGS (PSI)**

Temperature °F/°C	Class 150
(-) 20 °F / (-) 29 °C to (+) 100 °F / (+) 38 °C	285
200 °F / 93 °C	260
300 °F / 149 °C	230
400 °F / 204 °C	200
500 °F / 260 °C	170
600 °F / 316 °C	140
650 °F / 343 °C	125
700 °F / 371 °C	110
750 °F / 399 °C	95
800 °F / 427 °C	80
850 °F / 454 °C	65
900 °F / 482 °C	50

**DIMENSIONS (mm)**

SIZE	B	D	T	W	H	WEIGHT (Kg)
1/2"	108	89	11	85	169	3.400
3/4"	118	99	11	85	174	3.430
1"	127	108	11	90	194	5.697
1 1/4"	140	118	12.7	145	262	7.200
1 1/2"	165	127	14	145	267	9.400
2"	178	152	16	145	277	15.020

\* Note : Dimensions, design and materials are subject to change without notice. Approximate weights.

