



\* Reference photo

Body Cast Steel A216 WCB

Specs according to MSS 5P-81

Max working pressure:  
150 PSIG

Disc SS 316 (optional 304)

Flanges match ASME B16.5 Class 150

Stem up (OS&Y) of 410 stainless steel

Metal seat

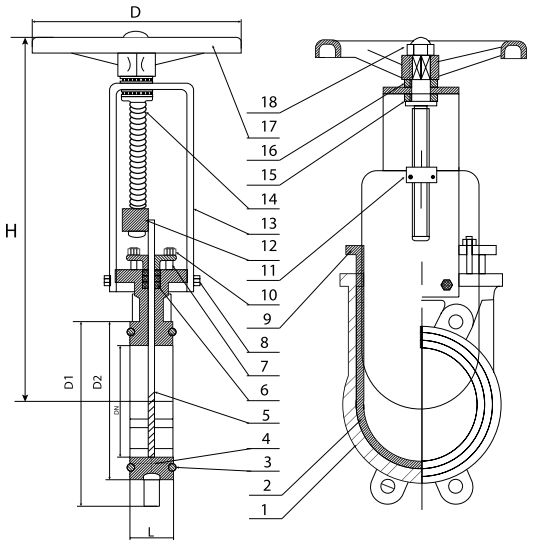
Barrel type actuator

### MATERIALS

	PART NAME	MATERIAL
1	BODY	WCB
2	SEAT RING	WCB
3	ROUND RUBBER	WCB
4	STEEL WIRE	A3
5	DISC	316
6	PACKING	GRAPHITE
7	MUD	A3
8	SCREW	A3
9	GLAND	WCB
10	NUT	A3
11	SCREW	A3
12	NUT	BRO
13	YOKE	A3
14	STEM	SS 410
15	BEARING	SCHANSB10-6
16	BEARING	SCHANSB10-6
17	HANDWHEEL	WCB
18	CAP NUT	A3

### DIMENSIONS (mm)

SIZE	A	B	C	D	E	WEIGHT WITHOUT ACTUATOR (Kg)
4"	51	203	191	157	394	12.50
6"	57	254	241	216	505	23



**Fiorella Representaciones S.A.C.**  
 Importador y distribuidor autorizado de  
 válvulas REX para Perú y para su exportación.

\* Note : Dimensions, design and materials are subject to change without notice. Approximate weights.

MAC EDITIONS - MMXXIII

