



* Reference photo

Body Cast Steel ASTM A216 WCB

Specs according to MSS 5P-81

Max working pressure:
150 PSIG

Disc SS 316 (optional 304)

Flanges match ASME B16.5 Class 150

Stem up (OS&Y) of 410 stainless steel

Metal seat

Sizes 6" and 10" optional gearbox operation

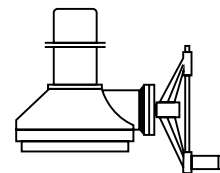
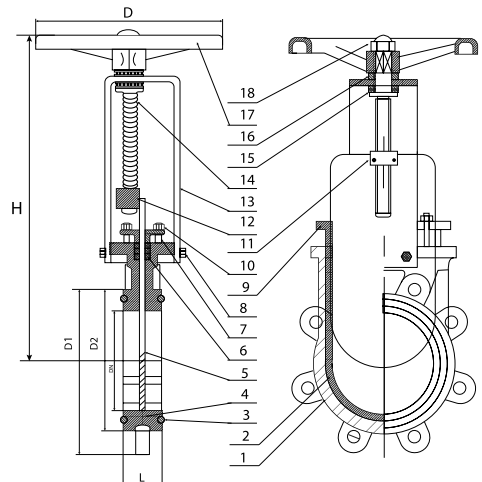
Size 12" gearbox operation

MATERIALS

	PART NAME	MATERIAL
1	BODY	WCB
2	SEAT RING	WCB
3	ROUND RUBBER	WCB
4	STEEL WIRE	A3
5	DISC	316
6	PACKING	GRAPHITE
7	MUD	A3
8	SCREW	A3
9	GLAND	WCB
10	NUT	A3
11	SCREW	A3
12	NUT	BRO
13	YOKE	A3
14	STEM	SS 410
15	BEARING	SCHANSB10-6
16	BEARING	SCHANSB10-6
17	HANDWHEEL	WCB
18	CAP NUT	A3

DIMENSIONS (mm)

SIZE	L	D	D1	D2	H	WEIGHT (Kg)
4"	51	203	191	157	394	12.50
6"	57	254	241	216	505	23
8"	70	356	298	270	587	32
10"	70	356	362	324	700	51
12"	76	457	432	381	806	70
14"	76	508	478	425	896	88
16"	89	508	540	492	991	135



Sizes 6" and 10"
optional gearbox
operation
Size 12" gearbox
operation

Fiorella Representaciones S.A.C.
Importador y distribuidor autorizado de
válvulas REX para Perú y para su exportación.

* Note : Dimensions, design and materials are subject to change without notice. Approximate weights.