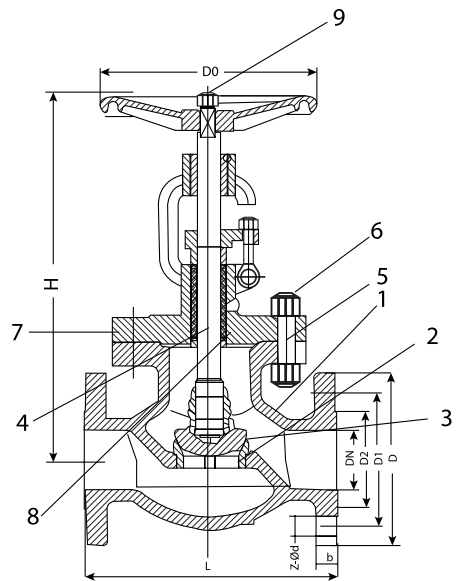




\* Reference photo

Body and Bonnet Cast Steel A216 WCB  
 Bolted Bonnet  
 Rising Stem OS&Y  
 Norm Steel Valves: ANSI/ASME B16.34  
 Flange dimensions: ANSI B16.5 RF  
 Face to Face dimensions: ASME B16.10  
 Hydrostatic Testing API 598



**Fiorella Representaciones S.A.C.**  
 Importador y distribuidor autorizado de  
 válvulas REX para Perú y para su exportación.

**MATERIALS**

	PART NAME	MATERIAL
1	BODY, BONNET	ASTM A216 WCB
2	SEAT RING	ASTM A216 WCB + 13% CR
3	DISK	ASTM A216 + 13% CR
4	STEM	SS 410
5	STUD	ASTM A193 B7
6	NUT	ASTM A194 2H
7	GASKET	13 CR / GRAPH.
8	PACKING	GRAPHITE
9	STEM NUT	ASTM A439 D-2

**DIMENSIONS (mm)**

SIZE	L	D	D1	D2	b	Z-Ød	D0	H	WEIGHT (Kg)
2"	267	165	127	92	23	8-19	250	386	31
2 1/2"	292	190	149	105	26	8-22	250	410	38
3"	318	210	168.5	127	29	8-22	250	440	45
4"	356	254	200	157	32	8-22	350	495	64
5"	400	279	235	186	35	8-22	350	696	80
6"	445	318	270	216	37	12-22	450	777	120
8"	559	381	330	270	42	12-25	600	919	240
10"	622	445	387.5	324	48	16-29	700	1036	385
12"	711	521	451	381	51	26-32	800	1201	630

**PRESSURE TEMPERATURE RATINGS (PSI)**

Temperature °F/°C	Class 300
(-) 20 °F / (-) 29 °C to (+) 100 °F / (+) 38 °C	740
200 °F / 93 °C	675
300 °F / 149 °C	655
400 °F / 204 °C	635
500 °F / 260 °C	600
600 °F / 316 °C	550
650 °F / 343 °C	535
700 °F / 371 °C	535
750 °F / 399 °C	505
800 °F / 427 °C	410
850 °F / 454 °C	270
900 °F / 482 °C	170

\* Note : Dimensions, design and materials are subject to change without notice. Approximate weights.

MAC EDITIONS - MMXXIII

