

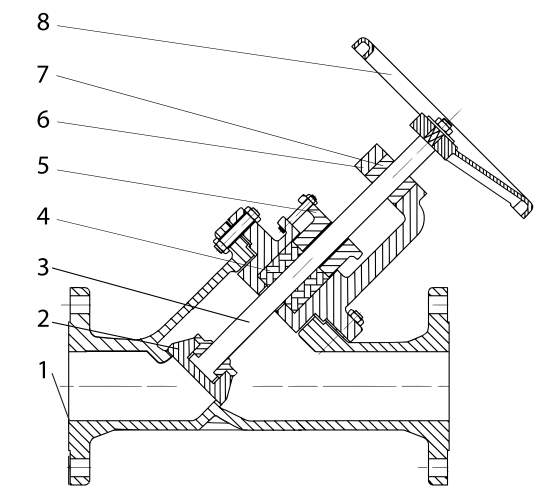


* Reference photo

Body and Bonnet Cast Steel A216 WCB
 Bolted Bonnet
 Rising Stem OS&Y
 Norm Steel Valves: ANSI/ASME B16.34
 Flange dimensions:
 ANSI/ASME B16.5 RF class 300
 Face to Face dimensions: ASME B16.10
 Hydrostatic Testing API 598

MATERIALS

	PART NAME	MATERIAL
1	BODY	CAST STEEL A216 WCB
2	DISK	13% Cr.
3	STEM	SS410
4	GLANDPACKING	GRAPHITE-PTFE
5	GLAND	CAST STEEL A216 WCB
6	BONNET	CAST STEEL A216 WCB
7	NUT	A194-2H
8	HANDWHEEL	IRON



Fiorella Representaciones S.A.C.
 Importador y distribuidor autorizado de
 válvulas REX para Perú y para su exportación.

DIMENSIONS (mm)

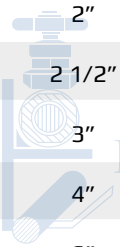
SIZE	WEIGHT (Kg)
2"	31
2 1/2"	38
3"	45
4"	64
6"	120

PRESSURE TEMPERATURE RATINGS (PSI)

Temperature °F/°C	Class 300
(-) 20 °F / (-) 29 °C to (+) 100 °F / (+) 38 °C	740
200 °F / 93 °C	675
300 °F / 149 °C	655
400 °F / 204 °C	635
500 °F / 260 °C	600
600 °F / 316 °C	550
650 °F / 343 °C	535
700 °F / 371 °C	535
750 °F / 399 °C	505
800 °F / 427 °C	410
850 °F / 454 °C	270
900 °F / 482 °C	170

* Note : Dimensions, design and materials are subject to change without notice. Approximate weights.

MAC EDITIONS - MMXXIII



FIORELLA
 Representaciones S.A.C.

