

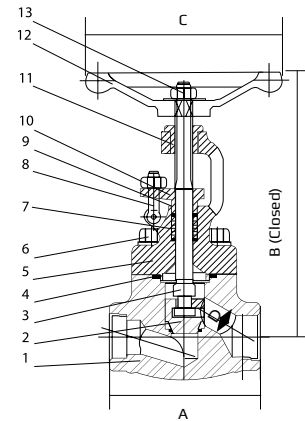


* Reference photo

Body and Bonnet Forged Steel
 ASTM A105
 Bolted Bonnet. Rising Stem OS&Y.
 Design, Manufacture,
 Test in accordance with API 602
 Norm to steel valves ASME B16.34
 Threaded ends NPT to ANSI B1.20.1
 Face to Face dimensions: ASME B16.10
 Hydrostatic Testing API 598
 * Certification pending to norm API 602
 from American Petroleum Institute

MATERIALS

	PART NAME	MATERIAL
1	BODY / SEAT	ASTM A105/HF
2	DISK	ASTM A105 + 13% Cr
3	STEM	SS 410
4	BONNET GASKET	304 + FLEXIBLE GRAPHITE
5	BONNET	ASTM A105
6	BONNET BOLT	ASTM A193 B7
7	PACKING	FLEXIBLE GAPHITE
8	GLAND BUSDTING	ASTM A276 420
9	GLAND	ASTM A276 420
10	EYE BOLT	ASTM A 193 B7
11	YOQUE NUT	ASTM A 276 410
12	HANDWHELL	ASTM A 197
13	LOCK NUT	ASTM A 194 2H



Fiorella Representaciones S.A.C.
 Importador y distribuidor autorizado de
 válvulas REX para Perú y para su exportación.

PRESSURE TEMPERATURE RATINGS (PSI)

Temperature °F/°C	Class 800
(-) 20 °F / (-) 29 °C to (+) 100 °F / (+) 38 °C	1975
200 °F / 93 °C	1800
300 °F / 149 °C	1750
400 °F / 204 °C	1690
500 °F / 260 °C	1595
600 °F / 316 °C	1460
650 °F / 343 °C	1430
700 °F / 371 °C	1420
750 °F / 399 °C	1345
800 °F / 427 °C	1100
850 °F / 454 °C	715

DIMENSIONS (mm)

SIZE	A	B	C	D	LIFT	WEIGHT (Kg)
1/2"	80	148	80	9	10	2.196
3/4"	90	156	80	12	12	2.330
1"	110	181	100	17.5	17.5	3.782
1 1/4"	127	210	120	22	21.5	5.200
1 1/2"	155	240	140	28	27	8.200
2"	170	263	140	34	29	12.500

* Note : Dimensions, design and materials are subject to change without notice. Approximate weights.

MAC EDITIONS - MMXXIII

