

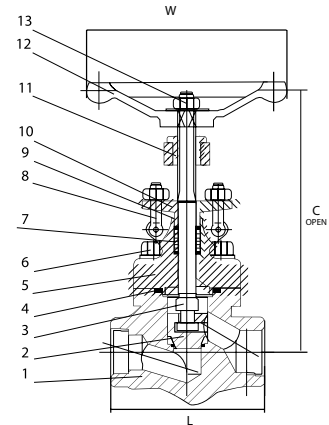


* Reference photo

Body and Bonnet Forged Steel ASTM A105
 Bolted Bonnet. Rising Stem OS&Y.
 Design, Manufacture, Test in accordance with API 602
 Norm to steel valves ASME B16.34
 Threaded ends NPT to ANSI B1.20.1
 Face to Face dimensions: ASME B16.10
 Hydrostatic Testing API 598
 * Certification pending to norm API 602 from American Petroleum Institute

MATERIALS

	PART NAME	MATERIAL
1	BODY / SEAT	ASTM A105/HF
2	DISK	ASTM A105 + 13% Cr
3	STEM	SS 410
4	BONNET GASKET	304 + FLEXIBLE GRAPHITE
5	BONNET	ASTM A105
6	BONNET BOLT	ASTM A193 B7
7	PACKING	FLEXIBLE GRAPHITE
8	GLAND BUSDTING	ASTM A276 420
9	GLAND	ASTM A276 420
10	EYE BOLT	ASTM A 193 B7
11	YOQUE NUT	ASTM A 276 410
12	HANDWHELL	ASTM A 197
13	LOCK NUT	ASTM A 194 2H



Fiorella Representaciones S.A.C.
 Importador y distribuidor autorizado de válvulas REX para Perú y para su exportación.

PRESSURE TEMPERATURE RATINGS (PSI)

Temperature °F/°C	Class 1500
(-) 20 °F / (-) 29 °C to (+) 100 °F / (+) 38 °C	3705
200 °F / 93 °C	3375
300 °F / 149 °C	3280
400 °F / 204 °C	3170
500 °F / 260 °C	2995
600 °F / 316 °C	2735
650 °F / 343 °C	2685
700 °F / 371 °C	2685
750 °F / 399 °C	2520
800 °F / 427 °C	2060
850 °F / 454 °C	1340
900 °F / 482 °C	860

DIMENSIONS (mm)

SIZE	L	D	D1	H	WEIGHT (Kg)
1/2"	90	80	160	9	2.7
3/4"	110	110	175	13	3.9
1"	127	110	210	17	6.5
1 1/4"	155	130	244	21	8.8
1 1/2"	170	130	250	28	11.2
2"	210	160	310	33	22.6

* Note : Dimensions, design and materials are subject to change without notice. Approximate weights.

MAC EDITIONS - MMXXIII

