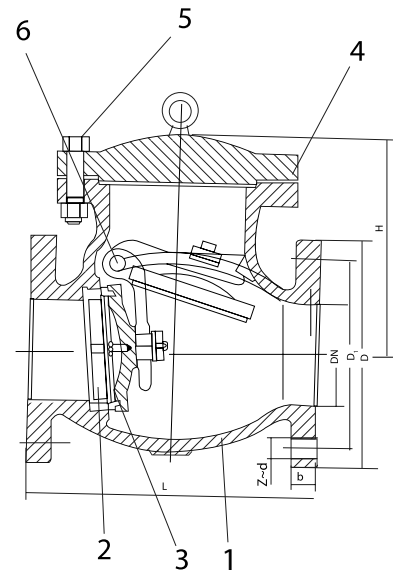




* Reference photo

Body and Bonnet Cast Iron ASTM A126
 Bolted Bonnet
 Design, Manufacture, Test in accordance with MSS-SP-71
 Flange dimensions: ANSI/ASME B16.1
 Face to Face dimensions: ASME B16.10
 Hydrostatic Testing API 598



Fiorella Representaciones S.A.C.
 Importador y distribuidor autorizado de
 válvulas REX para Perú y para su exportación.

MATERIALS

	PART NAME	MATERIAL
1	BODY BONNET	ASTM A126B
2	SEAT RING	ASTM B62
3	DISK	ASTM A126B + ASTM B62
4	GASKET	GRAPHITE WITH SOFT STEEL
5	BOLT/NUT	ASTM A307-B
6	HANGER PIN	ASTM A276 -410

DIMENSIONS (mm)

SIZE	L	D	D1	B	Z-Ød	H	WEIGHT (Kg)
2"	203	152	121	16	4-19	153	10
2 1/2"	216	178	140	18	4-19	161	13
3"	241	191	152	19	4-19	175	18
4"	292	229	191	24	8-19	219	32
5"	330	254	216	24	8-22	225	44
6"	356	279	241	25.4	8-22	256	55
8"	495	343	298	29	8-22	298	103
10"	622	406	362	30.2	12-25	376	218
12"	699	483	432	32	12-25	410	315
14"	787	533	476	35	12-29	444	359
16"	914	597	540	36.5	16-29	501	461
18"	914	635	578	39.7	16-32	437	590
20"	1016	699	635	42.9	20-32	489	1115
24"	1219	813	749	47.6	20-35	657	1600

PRESSURE TEMPERATURE RATINGS (PSI)

Temperature °F/°C	Class 125	
	2" to 14"	14" to 24"
(-) 20 °F / (-) 29 °C to (+) 150 °F / (+) 66 °C	200	150
200 °F / 93 °C	190	135
225 °F / 107 °C	180	130
250 °F / 121 °C	175	125
275 °F / 135 °C	170	120
300 °F / 149 °C	165	110
325 °F / 163 °C	155	105
350 °F / 177 °C	150	100
375 °F / 191 °C	145	95
400 °F / 204 °C	140	90
425 °F / 218 °C	130	80
450 °F / 232 °C	125	75

* Note : Dimensions, design and materials are subject to change without notice. Approximate weights.

MAC EDITIONS - MMXXIII

