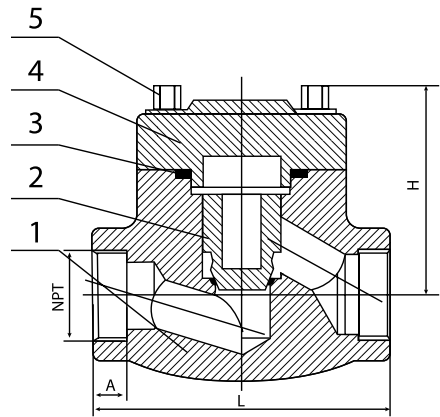




\* Reference photo

Body and Bonnet Forged Steel A105  
 Bolted Bonnet  
 Design, Manufacture, Test in accordance with API 602  
 Norm to steel valves ASME B16.34  
 Ends weld (SW) ANSI/ASME B16.11  
 Face to Face dimensions: ASME B16.10  
 Hydrostatic Testing API 598  
 \* Certification pending to norm API 602 from American Petroleum Institute



### MATERIALS

	PART NAME	MATERIAL
1	BODY / SEAT	ASTM A193 B7
2	DISK PISTON	ASTM A105 + 13% Cr
3	PACKING	304+ FLEXIBLE GRAPHITE
4	CAP BONNET	ASTM A276 410+HF
5	BONETE CAP BOLT	ASTM A105

### DIMENSIONS (mm)

SIZE	L	NPT	A	H	WEIGHT (Kg)
1/2"	79	1/2	13.5	61	1.555
3/4"	92	3/4	14	85	1.630
1"	111	1	17.5	79	2.750
1-1/4"	120	1-1/4	18	84	3.840
1-1/2"	152	1-1/2	18.5	103	5.500
2"	172	2	19	118	9.540

**Fiorella Representaciones S.A.C.**  
 Importador y distribuidor autorizado de válvulas REX para Perú y para su exportación.

### PRESSURE TEMPERATURE RATINGS (PSI)

Temperature °F/°C	Class 800
(-) 20 °F / (-) 29 °C to (+) 100 °F / (+) 38 °C	1975
200 °F / 93 °C	1800
300 °F / 149 °C	1750
400 °F / 204 °C	1690
500 °F / 260 °C	1595
600 °F / 316 °C	1460
650 °F / 343 °C	1430
700 °F / 371 °C	1420
750 °F / 399 °C	1345
800 °F / 427 °C	1100
850 °F / 454 °C	715

\* Note : Dimensions, design and materials are subject to change without notice. Approximate weights.

MAC EDITIONS - MMXXIII

