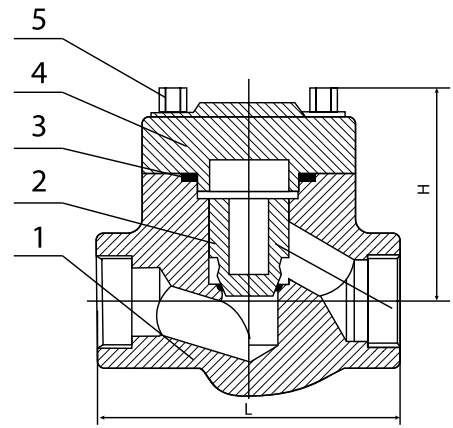




\* Reference photo

Body and Bonnet Forged Steel A105  
 Bolted Bonnet  
 Design, Manufacture, Test in accordance with API 602  
 Norm to steel valves ASME B16.34  
 Threaded ends NPT to ANSI B1.20.1  
 Face to Face dimensions: ASME B16.10  
 Hydrostatic Testing API 598  
 \* Certification pending to norm API 602 from American Petroleum Institute



**Fiorella Representaciones S.A.C.**  
 Importador y distribuidor autorizado de válvulas REX para Perú y para su exportación.

**MATERIALS**

	PART NAME	MATERIAL
1	BODY / SEAT	ASTM A193 B7
2	DISK PISTON	ASTM A105 + 13% Cr
3	PACKING	304 + FLEXIBLE GRAPHITE
4	CAP BONNET	ASTM A276 410 + HF
5	BONETE CAP BOLT	ASTM A105

**DIMENSIONS (mm)**

SIZE	L	H	WEIGHT (Kg)
1/2"	90	60	1.5
3/4"	110	73	2.8
1"	127	80	4.6
1 1/4"	155	98	6
1 1/2"	170	110	8.6
2"	210	135	14

**PRESSURE TEMPERATURE RATINGS (PSI)**

Temperature °F/°C	Class 1500
(-) 20 °F / (-) 29 °C to (+) 100 °F / (+) 38 °C	3705
200 °F / 93 °C	3375
300 °F / 149 °C	3280
400 °F / 204 °C	3170
500 °F / 260 °C	2995
600 °F / 316 °C	2735
650 °F / 343 °C	2685
700 °F / 371 °C	2685
750 °F / 399 °C	2520
800 °F / 427 °C	2060
850 °F / 454 °C	1340
900 °F / 482 °C	860

\* Note : Dimensions, design and materials are subject to change without notice. Approximate weights.

MAC EDITIONS - MMXXIII

