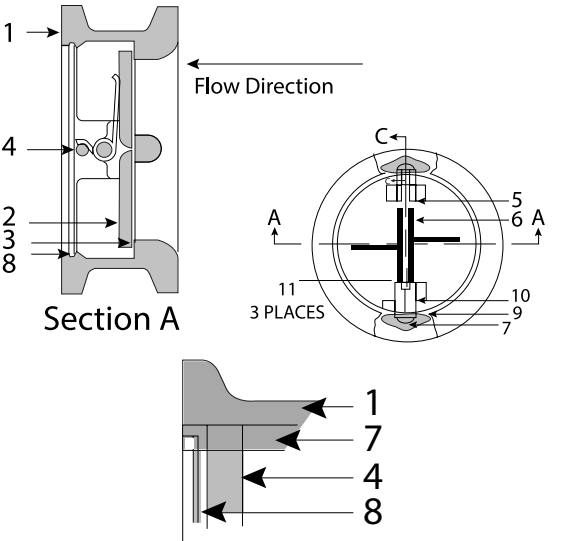




\* Reference photo

Body Cast Steel ASTM A216 WCB  
 Design specs according to: API 594  
 Flange Connection: ANSI Class 150  
 Type H  
 Disk and shaft stainless steel 316  
 Hydrostatic Test API 598  
 \* Certification pending to norm API 594  
 from American Petroleum Institute



**Fiorella Representaciones S.A.C.**  
 Importador y distribuidor autorizado de  
 válvulas REX para Perú y para su exportación.

**PRESSURE TEMPERATURE RATINGS (PSI)**

Temperature °F/°C	Class 150
(-) 20 °F / (-) 29 °C to (+) 100 °F / (+) 38 °C	285
200 °F / 93 °C	260
300 °F / 149 °C	230
400 °F / 204 °C	200
500 °F / 260 °C	170
600 °F / 316 °C	140
650 °F / 343 °C	125
700 °F / 371 °C	110
750 °F / 399 °C	95
800 °F / 427 °C	80
850 °F / 454 °C	65
900 °F / 482 °C	50

**MATERIALS**

	PART NAME	MATERIAL
1	BODY	A216 WCB
2	PLATE	SS CF8M(316)
3	SEAT	SS CF8M(316)
4	STOP PIN	SS CF8M(316)
5	HINGE PIN	SS CF8M(316)
6	SPRING	SS CF8M(316)
7	PIN INSERT	SS CF8M(316)
8	SNAP RING	SS CF8M(316)
9	BODY BEARING	SS CF8M(316)
10	PLATE BEARING	SS CF8M(316)
11	SPRING BEARING	SS CF8M(316)

**DIMENSIONS (mm)**

SIZE	L	D	D1	H	WEIGHT (Kg)
3"	137	73	74	6	6
4"	173	73	97	16	6.3
6"	220	98	145	35	12.7
8"	277	126	194	54	23.2
10"	335	145	243	70	36.6
12"	400	180	289	83	62.5

\* Note : Dimensions, design and materials are subject to change without notice. Approximate weights.

MAC EDITIONS - MMXXIII

