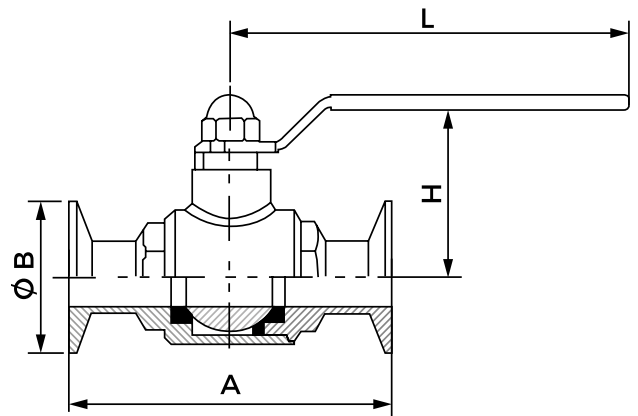


DESIGN FEATURES:

Body: Stainless Steel 316
 All wetted parts polished
 Seats: Silicone White
 Max. Temp.: 120°C
 Max. Pressure: 145 PSI
 For use in water, process liquids and gas,
 applications in food, medical and pharmaceu-
 tical industries.
 Test standard: API 598

* Reference photo



Fiorella Representaciones S.A.C.
 Importador y distribuidor autorizado
 de válvulas SUN en territorio
 latinoamericano.

DIMENSIONS (mm)

SIZE	D	R	P	G	WEIGHT (Kg)
3/4"	95	50.5	55	125	0.36
1"	120	50.5	55	125	0.74
1 1/2"	140	50.5	65	150	1.34
2"	164	64	75	160	1.90
2 1/2"	190	77.5	85	180	3.31
3"	210	91	100	260	4.71
4"	260	119	120	350	10.43

MAC - MMXXI



* Note : Dimensions, design and materials are subject to change without notice.