

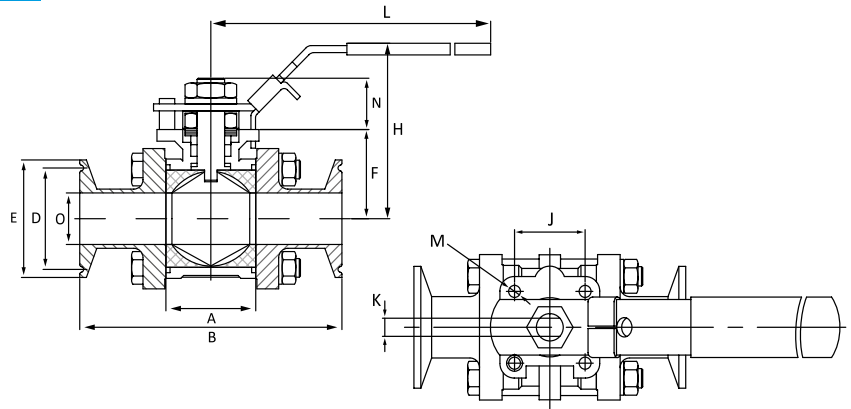
DESIGN FEATURES:

- Body: Stainless Steel 316
- All wetted parts polished
- Seats: Silicone White
- Max. Temp.: 120°C
- 1000 CWP (1/2" - 2")
- 600 CWP (2 1/2" - 4")
- Blow out proof stem
- 3-Piece design
- ISO 5211 mounting pad
- Lockable lever
- Test standard: API 598

* Reference photo



Fiorella Representaciones S.A.C.
Importador y distribuidor autorizado
de válvulas SUN en territorio
latinoamericano.



DIMENSIONS (mm)

SIZE	A	B	D	E	F	H	J	K	L	M	N	O	WEIGHT (Kg)
1/2"	24.4	88.9	20.1	24.9	29.0	62.0	36.1 (F03)	5.6	125.0	M5x0.8	16.5	9.4	0.734
3/4"	26.7	101.6	20.1	24.9	30.5	63.5	36.1 (F03)	5.6	125.0	M5x0.8	16.5	15.7	0.944
1"	39.1	114.3	43.4	50.8	38.1	75.2	41.9 (F04)	7.6	145.0	M5x0.8	21.3	22.1	1.300
1 1/2"	54.1	139.7	43.4	50.8	48.5	92.5	50.0 (F05)	8.6	190.0	M6x1.0	29.7	34.8	2.700
2"	67.3	158.8	56.4	64.0	56.9	102.9	50.0 (F05)	8.6	190.0	M6x1.0	30.2	47.5	4.200
2 1/2"	81.3	165.1	70.6	77.5	84.3	149.1	70.1 (F07)	14.0	249.9	M8x1.25	37.3	60.2	8.850
3"	100.8	266.7	83.3	90.7	96.0	161.8	70.1 (F07)	14.0	249.9	M8x1.25	37.3	72.9	14.200
4"	120.4	317.5	110.5	118.9	116.3	186.9	70.1 (F10)	19.1	287.8	M10x1.5	42.2	97.3	19.900

* Note : Dimensions, design and materials are subject to change without notice.

MAC EDITIONS - MMXXIII