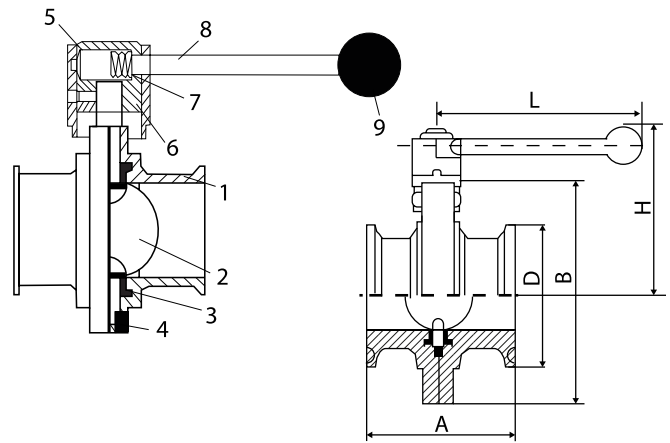


DESIGN FEATURES:

Body: Stainless Steel 304
 All wetted parts polished to 180 grit
 Seats: EPDM, Silicone white
 Max. Temp.: 120°C (Silicone) / 90°C (EPDM)
 Max. Pressure: 145 PSI
 Test standard: API 598
 For use in water, process liquids and gas, applications in food, medical and pharmaceutical industries.

* Reference photo



Fiorella Representaciones S.A.C.
 Importador y distribuidor autorizado
 de válvulas SUN en territorio
 latinoamericano.

MATERIAL LIST

	PART NAME	MATERIAL
1	BODY	SS 304
2	DISC AND STEM	SS 304
3	SEAT	EPDM / SILICONE WHITE
4	SCREW	SS 304
5	COVER HANDLE	SS 304
6	HANDLE	SS 304
7	SPRING	SS 304
8	HANDLE	SS 304
9	SLEEVE	PLASTIC

DIMENSIONS (mm)

SIZE	A	B	D	H	L	WEIGHT (Kg)
1"	66	78	50.5	130	82	1.35
1 1/2"	70	86	50.5	130	86	1.35
2"	76	102	64	140	96	1.85
2 1/2"	80	115	77.5	150	103	2.25
3"	84	128	91	150	110	2.60
4"	106	154	119	170	122	3.60
6"	139.7	-	-	139.7	292	8.57

* Note : Dimensions, design and materials are subject to change without notice.

MAC - MMXXI