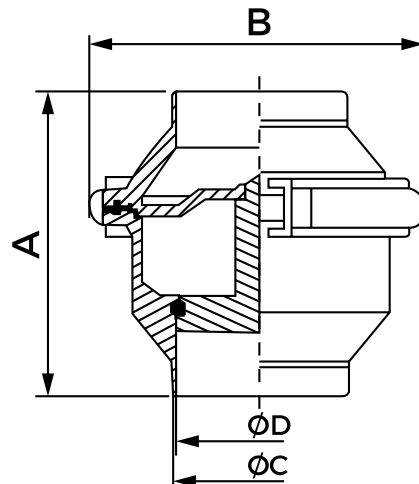


**DESIGN FEATURES:**

Body: Stainless Steel 304  
 All wetted parts polished  
 Seats: EPDM, Silicone White  
 Max. Temp.: 120°C (Silicone) / 90°C (EPDM)  
 Max. Pressure: 145 PSI  
 Test standard: API 598  
 For use in water, process liquids and gas, applications in food, medical and pharmaceutical industries.

\* Reference photo



Fiorella Representaciones S.A.C.  
 Importador y distribuidor autorizado  
 de válvulas SUN en territorio  
 latinoamericano.

**DIMENSIONS (mm)**

SIZE	A	B	C	D	WEIGHT (Kg)
1"	70	72	29	26	0,665
1 1/4"	72	87	35	32	0,930
1 1/2"	72	87	41	38	0,915
2"	88	100	53	50	1,292
2 1/2"	94	115	70	66	1,685
3"	102	128	85	81	2,140
4"	120	164	104	100	3,385

\* Note : Dimensions, design and materials are subject to change without notice.

MAC - MMXXI