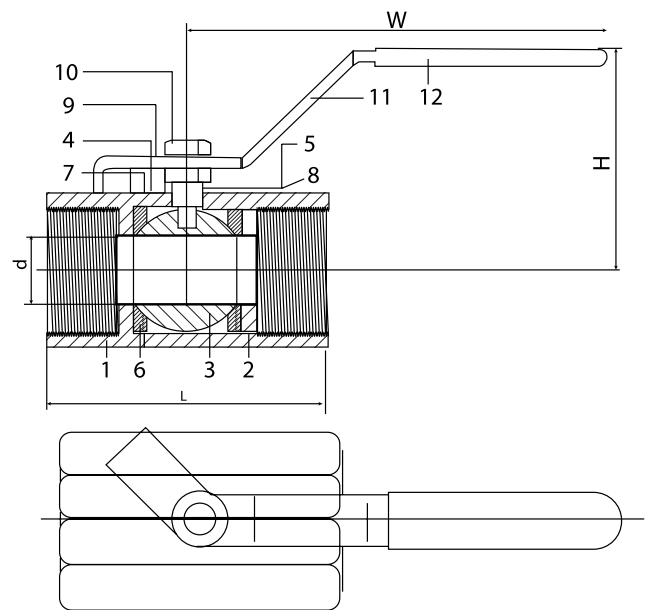


* Reference photo

DESIGN FEATURES:

Stainless Steel Body ASTM A351 CF8 (304)
Seats of POLYFILL
(PTFE + 15% de Graphite | Black)
Thread ends NPT ANSI/ASME B1.20.1
Featuring Memoryseal seating technology
One piece body. Passage reduced.
Test standard: API 598



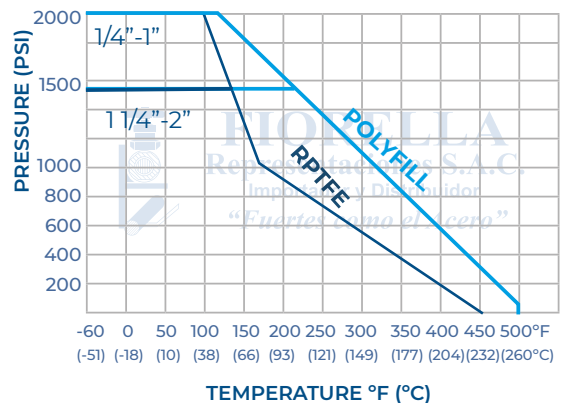
MATERIAL LIST

| | PART NAME | MATERIAL |
|----|---------------|-----------------|
| 1 | BODY | ASTM A351 CF8 |
| 2 | RETAINER | ASTM A351 CF8 |
| 3 | BALL | ASTM A351 CF8 |
| 4 | STEM | ASTM A276-316 |
| 5 | GLAND RING | ASTM A351 CF8 |
| 6 | BALL SEAT | POLYFILL |
| 7 | THRUST WASHER | PTFE |
| 8 | PACKING | PTFE |
| 9 | SPRING WASHER | AISI 304 |
| 10 | STEM NUT | AISI 304 |
| 11 | HANDLE | STAINLESS STEEL |
| 12 | HANDLE SLEEVE | PVC |

DIMENSIONS (mm)

| SIZE | d | L | H | W | WEIGHT (Kg) |
|--------|----|-----|----|-----|-------------|
| 1/4" | 5 | 43 | 28 | 2 | 0.2 |
| 3/8" | 7 | 47 | 34 | 3.4 | 0.2 |
| 1/2" | 9 | 62 | 60 | 4 | 0.8 |
| 3/4" | 12 | 70 | 62 | 4 | 1.2 |
| 1" | 15 | 86 | 67 | 5 | 1.8 |
| 1 1/4" | 20 | 94 | 83 | 6 | 2.5 |
| 1 1/2" | 25 | 102 | 83 | 6 | 3.5 |
| 2" | 32 | 114 | 87 | 6 | 4.5 |

PRESSURE TEMPERATURE RATINGS



Fiorella Representaciones S.A.C. Importador y distribuidor autorizado de válvulas SUN en territorio latinoamericano.

* Note : Dimensions, design and materials are subject to change without notice.

MAC - MMXXI