

* Reference photo

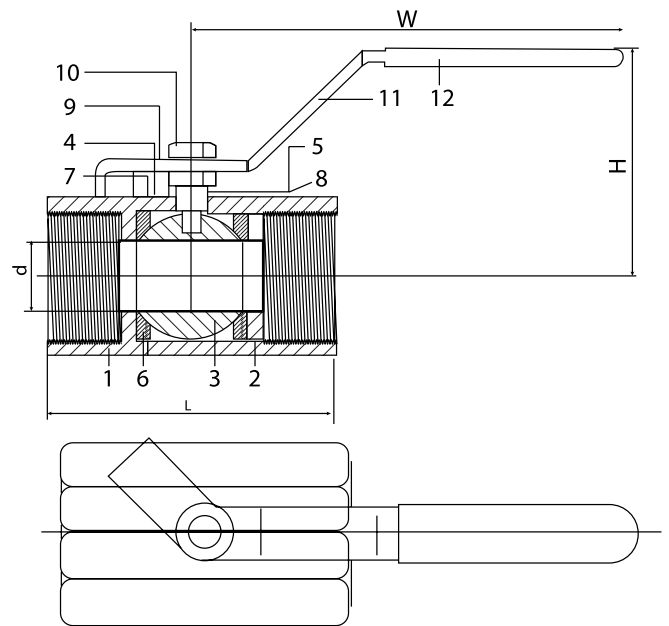


DESIGN FEATURES:

Stainless Steel Body ASTM A351 CF8M (316)
Seats of RPTFE
Thread ends NPT ANSI/ASME B1.20.1
Featuring Memoryseal seating technology
One piece body. Passage reduced.
Test standard: API 598

MATERIAL LIST

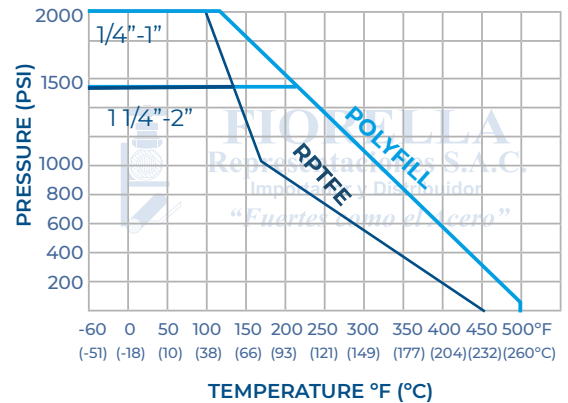
	PART NAME	MATERIAL
1	BODY	ASTM A351 CF8M
2	RETAINER	ASTM A351 CF8M
3	BALL	ASTM A351 CF8M
4	STEM	ASTM A276-316
5	GLAND RING	ASTM A351 CF8M
6	BALL SEAT	RPTFE
7	THRUST WASHER	PTFE
8	PACKING	PTFE
9	SPRING WASHER	AISI 304
10	STEM NUT	AISI 304
11	HANDLE	STAINLESS STEEL
12	HANDLE SLEEVE	PVC



DIMENSIONS (mm)

SIZE	d	L	H	W	WEIGHT (kg)
1/4"	5	43	28	2	0.2
3/8"	7	47	34	3.4	0.2
1/2"	9	62	60	4	0.8
3/4"	12	70	62	4	1.2
1"	15	86	67	5	1.8
1 1/4"	20	94	83	6	2.5
1 1/2"	25	102	83	6	3.5
2"	32	114	87	6	4.5

PRESSURE TEMPERATURE RATINGS



Fiorella Representaciones S.A.C. Importador y distribuidor autorizado de válvulas SUN en territorio latinoamericano.

* Note : Dimensions, design and materials are subject to change without notice.

MAC - MMXXI