

* Reference photo



MATERIAL LIST

	PART NAME	MATERIAL	QTY.
1	BODY	ASTM A351 Gr. CF8M	1
2	CAP	ASTM A351 Gr. CF8M	2
3	BALL	ASTM A351 Gr. CF8M	1
4	STEM	ASTM A276 Gr. 316	1
5	SEAT	RPTFE (PTFE + 15% G/F)	2
6	PACKING	PTFE	1
7	GLAND	SS304	1
8	END SEALS	PTFE	2
9	THRUST WASHER	PTFE	1
10	HANDLE	STAINLESS STEEL	1
11	HANDLE NUT	SS304	1
12	SPRING WASHER	SS304	1
13	BOLTS	ASTM A193 Gr. B8	4-6
14	BOLT NUTS	ASTM 194 Gr. 8	4-6
15	BOLT WASHERS	SS304	4-6
16	HANDLE SLEEVE	VINYL GRIP	1
17	LOCKING PLATE	STAINLESS STEEL	1

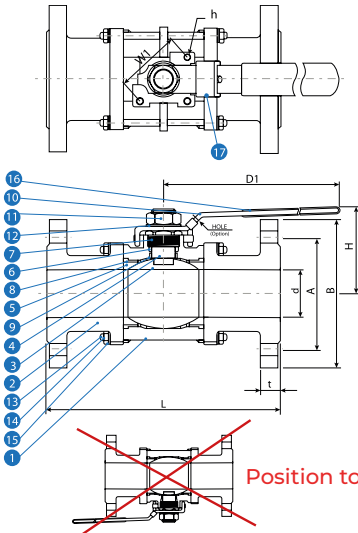
DIMENSIONS (mm)

SIZE	A	B	d	D1	L	H	W1	h	CV FACTOR	WEIGHT (Kg)
1/2"	65	95	15.0	102	130	57.0	36	M5 x P0.8	19	1.82
3/4"	75	105	20.0	126	150	67.1	36	M5 x P0.8	37	2.70
1"	85	115	25.4	126	160	76.0	36	M5 x P0.8	64	3.64
1 1/4"	100	140	32.0	156	180	91.1	50	M6 x P1.0	103	4.80
1 1/2"	110	150	40.0	156	200	95.1	50	M6 x P1.0	143	6.42
2"	125	165	50.8	186	230	105.0	50	M6 x P1.0	360	10.00
2 1/2"	145	185	65.0	272	290	120.8	70	M8 x P1.25	440	13.26
3"	160	200	80.0	272	310	127.4	102	M10 x P1.5	520	15.90
4"	190	235	100.0	335	350	173.7	102	M10 x P1.5	820	19.20

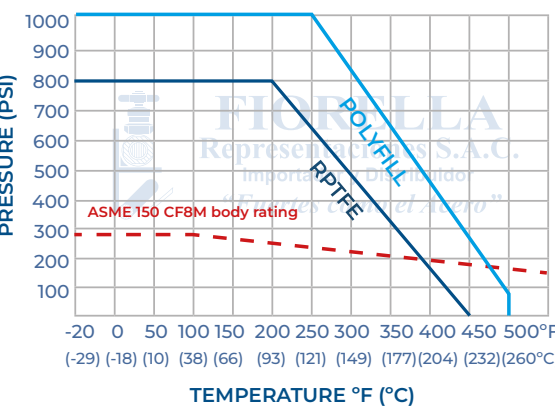
Fiorella Representaciones S.A.C. Importador y distribuidor autorizado de válvulas SUN en territorio latinoamericano.

DESIGN FEATURES:

Working pressure: 285 PSIG
 Investment cast body & cap
 Flanged for ANSI/ASME B16.5 class 150
 3PC Design
 Bottom-Loaded, Blow-Out-Proof Stem
 Stainless steel handle with vinyl grip
 Locking system
 Test standard: API 598
 Not recommend installing the valve with the stem pointing downward because dirt in the pipeline may then enter the body cavity and damage the gland packing.



PRESSURE TEMPERATURE RATINGS



* Note : Dimensions, design and materials are subject to change without notice.

MAC - MMXXIV

