

**DESIGN FEATURES:**

Pressure rating: 200 PSIG (non-shock)  
 Steam rating: 150 PSI WSP  
 Investment cast body & bonnet  
 Bottom-loaded, blow-out-proof stem  
 Screwed bonnet  
 Rising stem and wheel  
 Threaded end NPT ANSI/ASME B1.20.1  
 Test standard: API 598

\* Reference photo



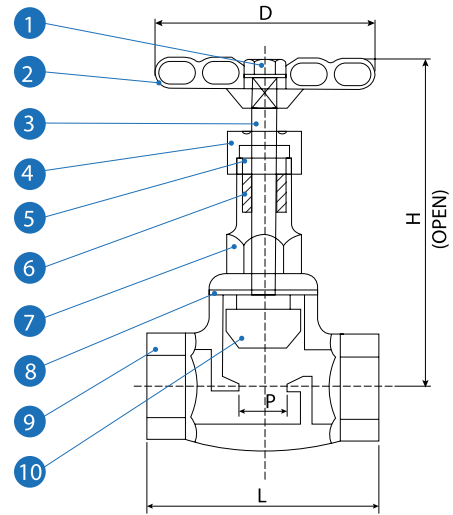
**MATERIAL LIST**

	PART NAME	MATERIAL	QTY.
1	NUT	SS304	1
2	HANDWHEEL	SS400	1
3	STEM	ASTM A276 Gr. 316	1
4	GLAND NUT	ASTM A351 Gr. CF8M	1
5	GLAND	ASTM A351 Gr. CF8M	1
6	GLAND PACKING	PTFE	1
7	BONNET	ASTM A351 Gr. CF8M	1
8	GASKET	PTFE	1
9	BODY	ASTM A351 Gr. CF8M	1
10	DISC	ASTM A351 Gr. CF8M	1

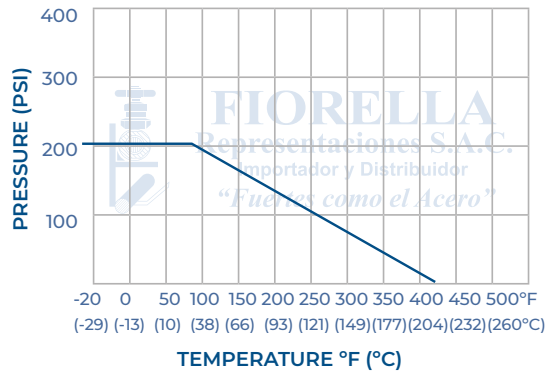
**DIMENSIONS (mm)**

SIZE	P	L	H (open)	D	CV FACTOR	WEIGHT (Kg)
1/2"	12	66.0	95	70.0	19	0.450
3/4"	15	68.5	99	70.0	37	0.650
1"	20	78.3	102	76.5	64	0.845
1 1/4"	25	86.0	126	103.5	103	1.169
1 1/2"	33	98.0	136	103.5	143	1.880
2"	40	110.5	155	121.0	360	2.496

Fiorella Representaciones S.A.C. Importador y distribuidor autorizado de válvulas SUN en territorio latinoamericano.



**PRESSURE TEMPERATURE RATINGS**



MAC EDITIONS - MMXXIII

\* Note : Dimensions, design and materials are subject to change without notice.