

DESIGN FEATURES:

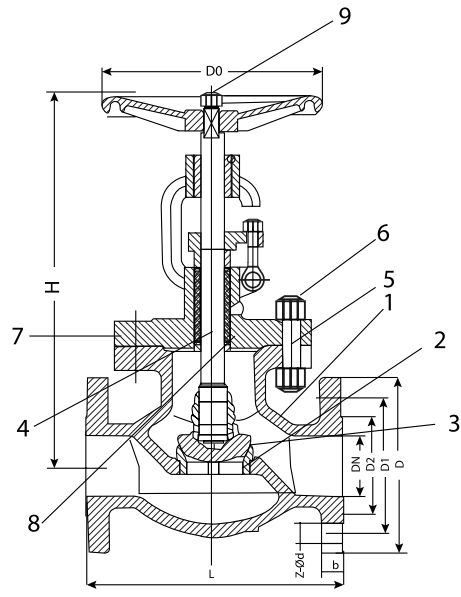
End type: Flange end
Face to face: ANSI/ASME B16.10
Flange dimensions: ANSI/ASME B16.5 #300
Wall thickness: ANSI/ASME B16.34
Pressure/temperature ratings in accordance with ASME/ASTM B16.34
Test standard: API 598

* Reference photo



MATERIAL LIST

PART NAME	MATERIAL	QTY.
1 BODY	ASTM A351 Gr. CF8M	1
2 BONNET	ASTM A351 Gr. CF8M	1
3 STEM	ASTM A276 Gr. 316	1
4 DISC	ASTM A351 Gr. CF8M	1
5 GLAND	ASTM A351 Gr. CF8	1
6 GLAND PACKING	PTFE	1
7 GLAND FLANGE	ASTM A351 Gr. CF8	1
8 HAND WHEEL	ASTM A536 Gr. B65-45-12	1
9 GASKET	PTFE	1
10 BONNET BOLT/NUT	ASTM A193 Gr. B8/A194 Gr. 8	4-16
11 GLAND BOLT/NUT	ASTM A193 Gr. B8/A194 Gr. 8	2
12 YOKE SLEEVE	BRONZE	1
13 HANDWHEEL NUT	STEEL	1
14 DISC GLAND	SS316	1



Fiorella Representaciones S.A.C. Importador y distribuidor autorizado de válvulas SUN en territorio latinoamericano.

DIMENSIONS (mm)

SIZE	L	D	D1	D2	B	Z-Ød	D0	H	WEIGHT (Kg)
2"	267	165	127	92	23	8-19	250	386	30
2 1/2"	292	190	149	105	26	8-22	250	410	43
3"	318	210	168.5	127	29	8-22	250	440	57
4"	356	254	200	157	32	8-22	350	495	85
6"	445	318	270	216	37	12-22	450	620	148
8"	559	381	330	270	42	12-25	600	750	220
10"	622	445	387.5	324	48	16-29	700	890	316
12"	711	521	451	381	51	26-32	800	990	616

* Note : Dimensions, design and materials are subject to change without notice.

MAC - MMXXI