

DESIGN FEATURES:

Pressure rating: 200 PSIG (non-shock)
 Steam rating: 150 PSI WSP
 Investment cast body & cap
 Screwed cap
 Swing type disc
 Threaded end NPT ANSI/ASME B1.20.1
 Test standard: API 598

* Reference photo

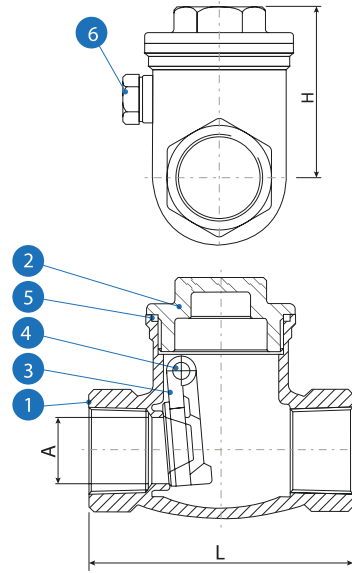


MATERIAL LIST

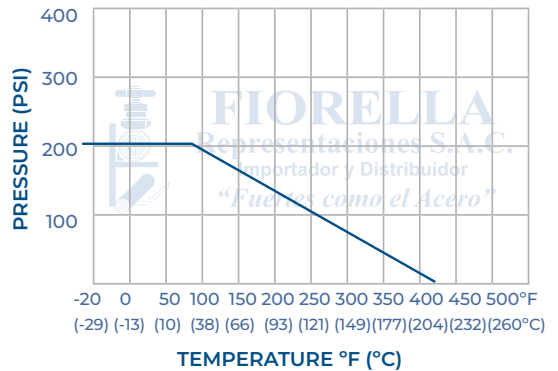
	PART NAME	MATERIAL	QTY.
1	BODY	ASTM A351 Gr. CF8	1
2	CAP	ASTM A351 Gr. CF8	1
3	DISC	ASTM A351 Gr. CF8	1
4	HINGE PIN	SS304	1
5	GASKET	PTFE	1
6	PLUG	SS304	1

DIMENSIONS (mm)

SIZE	A	L	H	CV FACTOR	WEIGHT (Kg)
1/4"	-	-	-	-	0.147
3/8"	-	-	-	-	0.234
1/2"	15	66.0	46	30	0.243
3/4"	20	81.0	54	37	0.342
1"	25	91.0	60	54	0.364
1 1/4"	32	106.5	72	103	0.823
1 1/2"	40	121.0	75	143	1.162
2"	50	142.0	82	360	1.345
2 1/2"	65	159.0	30	440	2.803
3"	80	190.0	104	520	3.935
4"	100	235	133.3	-	7.546



PRESSURE TEMPERATURE RATINGS



Fiorella Representaciones S.A.C. Importador y distribuidor autorizado de válvulas SUN en territorio latinoamericano.

* Note : Dimensions, design and materials are subject to change without notice.

MAC - MMXXIV

