

**DESIGN FEATURES:**

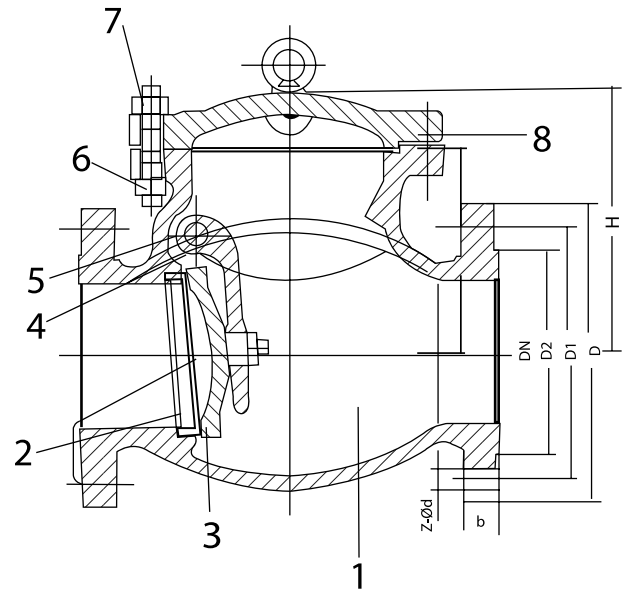
End type: Flange end  
Face to face: ANSI/ASME B16.10  
Flange dimensions: ANSI/ASME B16.5 #300  
Wall thickness: ANSI/ASME B16.34  
Pressure/temperature ratings in  
Accordance with ASME/ASTM B16.34  
Test standard: API 598

\* Reference photo



**MATERIAL LIST**

	PART NAME	MATERIAL	QTY.
1	BODY	ASTM A351 Gr. CF8M	1
2	COVER	ASTM A351 Gr. CF8M	1
3	DISC	ASTM A351 Gr. CF8M	1
4	DISC NUT	ASTM A194 Gr. 8	1
5	COVER BOLT	ASTM A193 Gr. B8	4-12
6	COVER NUT	ASTM A194 Gr.8	4-12
7	ARM	ASTM A351 Gr. CF8M	1
8	GASKET	PTFE	1
9	PLUG	SS316	1
10	PLUG GASKET	SS304	1
11	HINGE PIN	SS316	1



**Fiorella Representaciones S.A.C. Importador y distribuidor autorizado de válvulas SUN en territorio latinoamericano.**

**DIMENSIONS (mm)**

SIZE	L	D	D1	D2	B	Z-Ød	H	WEIGHT (Kg)
2"	267	165	127	92	23	8-19	160	21
2 1/2"	292	190	149	105	26	8-22	172	35
3"	318	210	168.5	127	29	8-22	189	43
4"	356	254	200	157	32	8-22	210	67
5"	400	280	235	186	35	8-22	318	84
6"	445	318	270	216	37	12-22	330	123
8"	533	381	330	270	42	12-25	418	207
10"	622	445	387.5	324	48	16-29	450	305
12"	711	521	451	381	51	19-32	508	387

\* Note : Dimensions, design and materials are subject to change without notice.

MAC - MMXXI