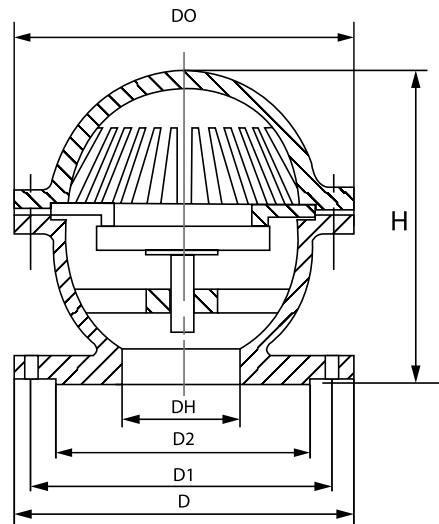


DESIGN FEATURES:

Body: Stainless Steel CF8M (316)
Seat: Metal to metal
Flanges: Class 150 ANSI B16.5
Max. Pressure: 275 PSI
Max. Temp.: -30°C to 180°C
Test standard: API 598

Fiorella Representaciones S.A.C. Importador y distribuidor autorizado de válvulas SUN en territorio latinoamericano.



DIMENSIONS (mm)

SIZE	D	D1	D2	DH	DO	H	WEIGHT (Kg)
2"	153	121	91.9	50	150	170	4.68
2 1/2"	178	140	104.6	65	170	183	6.9
3"	191	153	127.0	80	186	198	9.28
4"	229	191	157.2	100	229	242	12.94
5"	254	216	185.6	125	269	282	19.87
6"	280	242	215.9	150	296	326	28.172

* Note : Dimensions, design and materials are subject to change without notice.