

DESIGN FEATURES:

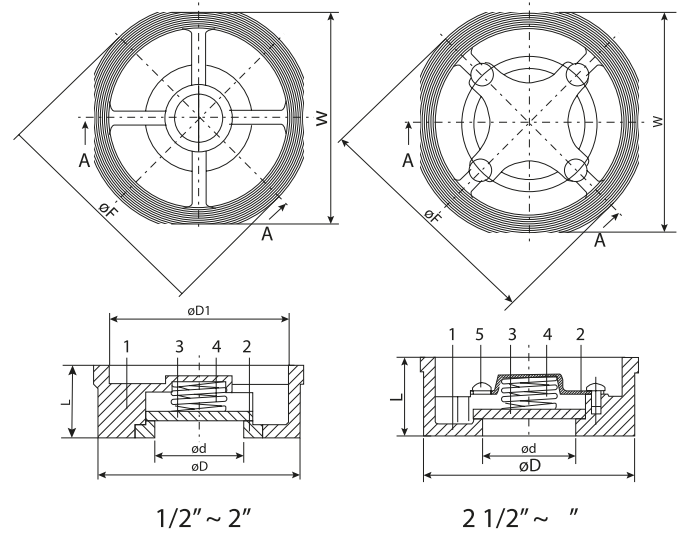
The face to face conform to to:
DIN 3202 part3-K4
Investment casting
Max working temperature 480°F
Pressure rating PN40
Test standard: API 598

* Reference photo



MATERIAL LIST

	PART NAME	MATERIAL
1	BODY	ASTM A351 Gr. CF8
2	RETAINER	CF8 (SS304)
3	DISC	CF8 (SS304)
4	SPRING	CF8 (SS304)
5	SCREW	CF8 (SS304)



Fiorella Representaciones S.A.C. Importador y distribuidor autorizado de válvulas SUN en territorio latinoamericano.

DIMENSIONS (mm)

SIZE	d	D	F	W	L	WEIGHT (Kg)
1/2"	15	45	53	45	16	0.1
3/4"	20	55	63	55	19	0.16
1"	25	65	73	65	22	0.28
1 1/4"	32	78	84	78	28	0.52
1 1/2"	38	89	94	89	32	0.7
2"	50	98	107	98	40	1.1
2 1/2"	62	118	126	118	46	1.58
3"	76.5	134	144	134	50	1.78
4"	96	154	162	154	60	3.3
5"	120	185	-	-	90	6.75
6"	140	218	-	-	105	10.60
8"	170	273	-	-	140	18.10

* Note : Dimensions, design and materials are subject to change without notice.

MAC - MMXXI