

DESIGN FEATURES:

Temperature rating @ -28°C a 38°C
Workin Pressure PN16
Design ANSI/DIN
Versatile design
Test standard: API 598

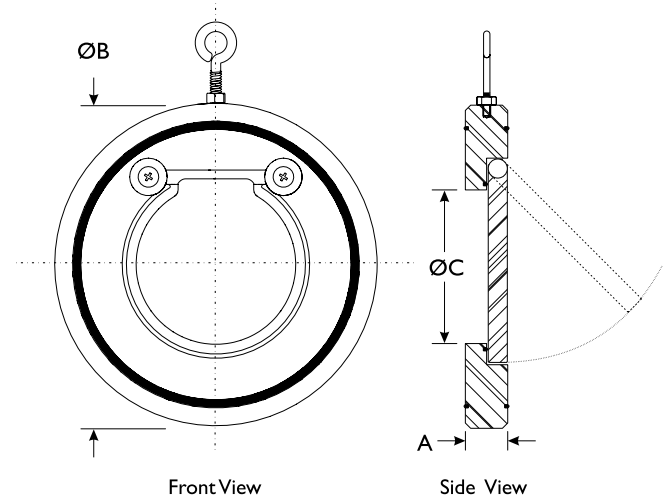
* Reference photo



MATERIAL LIST

	PART NAME	MATERIAL
1	BODY	ASTM A240 Gr. CF8M
2	DISC	ASTM A351 Gr. CF8M
3	BODY SEAL	RPTFE

Fiorella Representaciones S.A.C. Importador y distribuidor autorizado de válvulas SUN en territorio latinoamericano.



DIMENSIONS (mm)

SIZE	A	B	C	WEIGHT (Kg)
2"	14	105	32	0.775
2 1/2"	14	124	40	1.245
3"	14	137	54	1.891
4"	18	175	70	2.758
5"	18	197	92	5.558
6"	20	222	112	8.550
8"	22	280	154	16.100
10"	26	340	200	20.20
12"	32	410	240	26.30

* Note : Dimensions, design and materials are subject to change without notice.

MAC EDITIONS - MMXXIII

