

**DESIGN FEATURES:**

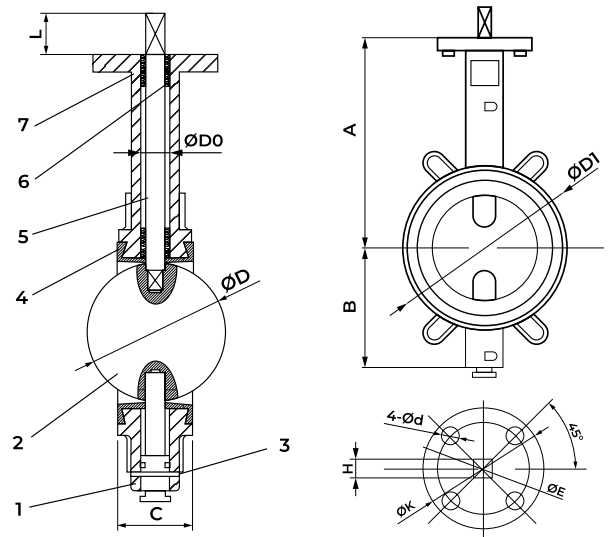
Design and manufacture: MSS SP-67  
 Shaft square type  
 Doble Shaft  
 Gear box operation  
 Maximum temperature operation:  
 RPTFE -20°C (-4°F) to 150°C (302°F)  
 Wafer type mounting between ANSI class 150  
 and DIN PN16 flanges  
 Test standard: API 598

\* Reference photo



**MATERIAL LIST**

|   | PART NAME | MATERIAL           |
|---|-----------|--------------------|
| 1 | BODY      | ASTM A351 Gr. CF8M |
| 2 | DISC      | ASTM A351 Gr. CF8M |
| 3 | PIN       | STAINLESS STEEL    |
| 4 | SEAT      | RPTFE              |
| 5 | STEM      | STAINLESS STEEL    |
| 6 | BUSHING   | PTFE               |
| 7 | O-RING    | BUNA-N             |



Fiorella Representaciones S.A.C. Importador y distribuidor autorizado de válvulas SUN en territorio latinoamericano.

**DIMENSIONS (mm)**

| SIZE   | A   | B   | C    | D     | d0    | L  | ISO5211 | K   | E   | H  | 4-Ø-d | ØD1 | 4-Ø  | WEIGHT (Kg) |
|--------|-----|-----|------|-------|-------|----|---------|-----|-----|----|-------|-----|------|-------------|
| 2"     | 161 | 80  | 42.3 | 52.9  | 14.3  | 30 | F07     | 90  | 70  | 11 | 4-10  | 125 | 4-18 | 4.200       |
| 2 1/2" | 175 | 89  | 45.8 | 64.5  | 14.3  | 30 | F07     | 90  | 70  | 11 | 4-10  | 145 | 4-18 | 4.800       |
| 3"     | 181 | 95  | 45.8 | 78.8  | 14.3  | 30 | F07     | 90  | 70  | 11 | 4-10  | 160 | 4-18 | 6.350       |
| 4"     | 200 | 114 | 52   | 104   | 15.77 | 30 | F07     | 90  | 70  | 11 | 4-10  | 180 | 4-18 | 7.950       |
| 5"     | 213 | 127 | 55   | 123.3 | 18.92 | 30 | F07     | 90  | 70  | 14 | 4-10  | 210 | 4-18 | 9.650       |
| 6"     | 226 | 139 | 55.8 | 155.1 | 18.92 | 30 | F07     | 90  | 70  | 14 | 4-10  | 240 | 4-22 | 14          |
| 8"     | 260 | 175 | 61.5 | 202.5 | 22.1  | 40 | F10     | 125 | 102 | 17 | 4-12  | 295 | 4-22 | 24          |
| 10"    | 292 | 203 | 67.2 | 250.5 | 28.45 | 40 | F10     | 125 | 102 | 22 | 4-12  | 350 | 4-22 | 31          |
| 12"    | 337 | 242 | 76.9 | 301.6 | 31.6  | 40 | F10     | 140 | 102 | 22 | 4-12  | 400 | 4-22 | 41          |

\* Note : Dimensions, design and materials are subject to change without notice.

MAC EDITIONS - MIMXXIII