

**DESIGN FEATURES:**

Design and manufacture: MSS SP-67  
 Shaft square type  
 Doble Shaft  
 Lever or gear box operation  
 Maximum temperature operation:  
 RPTFE -20°C (-4°F) to 150°C (302°F)  
 Lug type mounting between ANSI class 150  
 Test standard: API 598

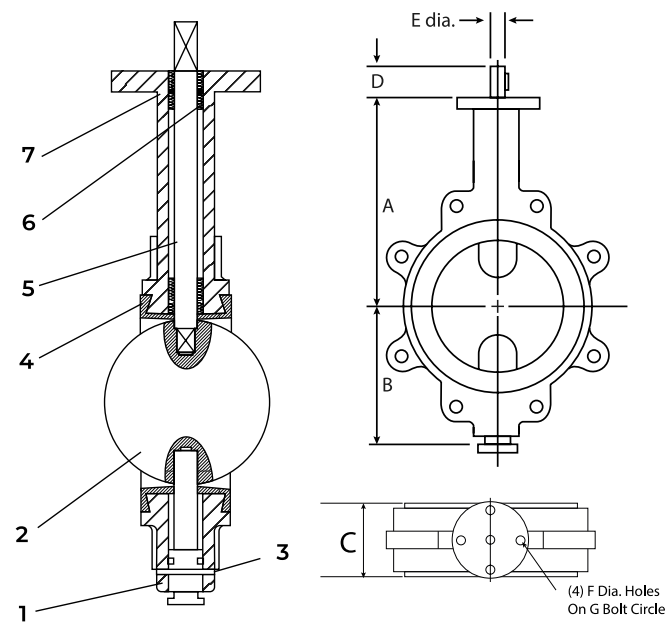
\* Reference photo



**MATERIAL LIST**

|   | PART NAME | MATERIAL           |
|---|-----------|--------------------|
| 1 | BODY      | ASTM A351 Gr. CF8M |
| 2 | DISC      | ASTM A351 Gr. CF8M |
| 3 | PIN       | STAINLESS STEEL    |
| 4 | SEAT      | RPTFE              |
| 5 | STEM      | STAINLESS STEEL    |
| 6 | BUSHING   | PTFE               |
| 7 | O-RING    | BUNA-N             |

Fiorella Representaciones S.A.C. Importador y distribuidor autorizado de válvulas SUN en territorio latinoamericano.



**DIMENSIONS (mm)**

| SIZE   | A   | B   | C  | D    | E    | F    | G      | N° HOLES ANSI | WEIGHT LEVER (Kg) | WEIGHT GEAR BOX (Kg) |
|--------|-----|-----|----|------|------|------|--------|---------------|-------------------|----------------------|
| 2"     | 162 | 76  | 45 | 31.8 | 12.7 | 6.7  | 57.2   | 4             | 5                 | 9                    |
| 2 1/2" | 175 | 89  | 48 | 31.8 | 12.7 | 6.7  | 57.2   | 4             | 6                 | 11                   |
| 3"     | 181 | 95  | 49 | 31.8 | 12.7 | 6.7  | 57.2   | 4             | 6.5               | 11.5                 |
| 4"     | 200 | 114 | 55 | 31.8 | 15.9 | 10.3 | 69.8   | 8             | 9                 | 13                   |
| 5"     | 213 | 127 | 58 | 31.8 | 19.0 | 10.3 | 69.8   | 8             | 10.5              | 14.5                 |
| 6"     | 225 | 140 | 59 | 31.8 | 19.0 | 10.3 | 69.8   | 8             | 12.5              | 16                   |
| 8"     | 260 | 177 | 64 | 44.4 | 22.2 | 14.3 | 88.9   | 8             | 18.5              | 27                   |
| 10"    | 292 | 203 | 70 | 44.4 | 28.6 | 14.3 | 88.9   | 12            | 29.5              | 38                   |
| 12"    | 337 | 242 | 80 | 44.4 | 31.8 | 14.3 | 107.95 | 12            | 40                | 54                   |

\* Note : Dimensions, design and materials are subject to change without notice.

MAC - MMXXI