



BUTTERFLY WAFER DUCTILE IRON A536 200 PSIG

Body of Ductile Iron A536

Designed in accordance
with MSS SP 67 and API 609

Flange Connections: ANSI/ASME B16.5 RF class 150

Direct Mounting Actuator ISO 5211

Tested according Section 5 AWWA c-504-87

Disk stainless steel CF8M (316)

Bipartite Shaft

Seat elastomeric: EPDM

Maximum working pressure:

200 PSIG size 2" - 12"

150 PSIG size 14" - 24"

Maximum temperature operation:

EPDM -18°C (0°F) to 110°C (230°F)

Featuring Memoryseal seating technology

Operation Lever or Gearbox

Square shaft for mounting Lever or Gearbox

Hidrostatic test API 598

Diameters: 2" to 24"

NOTE: Soft seated valves are not recommended for steam
service, hot and abrasive fluids.

* Certification pending to norms API 609, MSS SP-67
and Section 5 AWWA c-504-87.



* Note : Dimensions, design and materials are subject to change without notice.

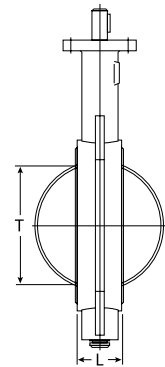
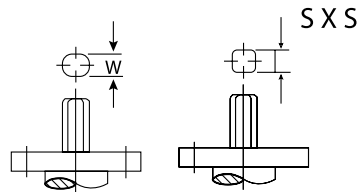
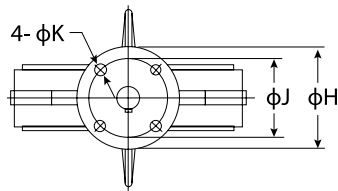
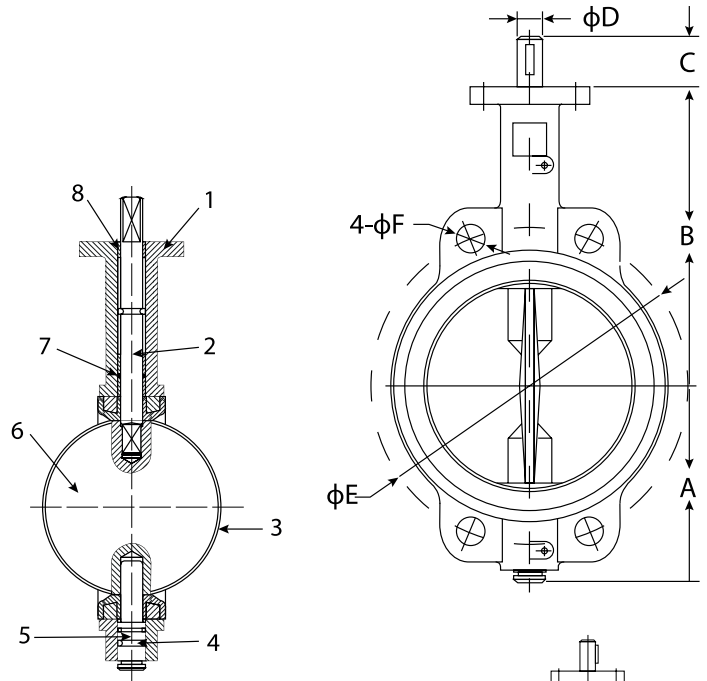


BUTTERFLY WAFER DUCTILE IRON A536 200 PSIG

MATERIALS

	PART NAME	MATERIAL
1	BODY	DUCTILE IRON A536
2	UPPER STEM	SS 410
3	SEAT	EPDM
4	SPRING PIN	CARBON STEEL
5	LOWER STEM	STAINLESS STEEL
6	DISK	CF8M (316)
7	O-RING	EPDM
8	BUSHING	RPTFE

TEST API 598



DIMENSIONS (mm)

SIZE	A	B	C	D	E	F	H	J	K	L	T	S	W	LEVER (Kg)	GEARBOX (Kg)
2"	85	162	32	12.7	120.7	19	65	50	7	42	32	9	10	4	8
2 1/2"	98	174	32	12.7	139.7	19	65	50	7	45	47	9	10	4.5	8.5
3"	104	181	32	12.7	152.4	19	65	50	7	45	65	9	10	5	9
4"	123	200	32	15.9	190.5	19	90	70	9.5	52	90	11	12	7	11
5"	136	213	32	19.1	215.9	22	90	70	9.5	54	111	14	14	8.5	12.5
6"	148	225	32	19.1	241.3	22	90	70	9.5	56	145	14	14	10	14
8"	186	260	38	22.2	298.5	22	125	102	11.5	60	193	17	17	15.5	24
10"	212	292	38	28.6	362	25	125	102	11.5	66	241	22	22	22	31
12"	251	337	38	31.8	431.8	25	125	102	11.5	77	292	22	24	32.5	41
14"	277	368	45	31.8	476.3	29	125	102	11.5	77	325	22	24	-	57
16"	308	400	51	33.3	539.8	29	210	165	22	86	380	27	27	-	96
18"	342	422	51	38.1	577.9	32	210	165	22	105	428	27	27	-	116
20"	374	479	64	41.3	635	32	210	165	22	130	474	27	32	-	161
24"	459	562	70	50.8	749.3	35	210	165	22	152	575	36	36	-	257

* Note : Dimensions, design and materials are subject to change without notice.